

931.912.34.410 series: U-bended

Features:

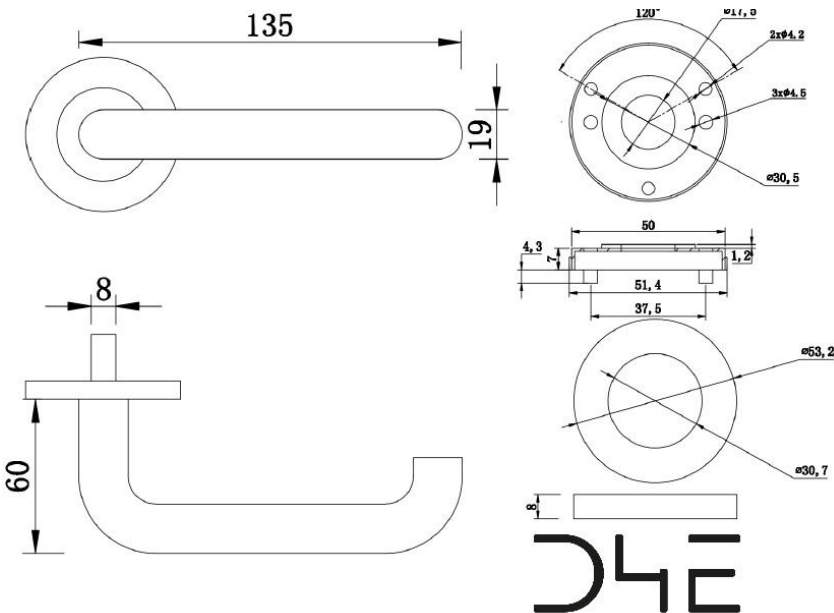
- Stainless steel doorhandle pair on rose.
- High frequency of use on doors which are subject to frequent violent usage; high frequency of use by public or others with little incentive to exercise care and with a high chance of misuse
- CE (NEN-EN 1906:2012).and tested
- EN 1634-1:2014
- Applicable to both wood & metal doors.
- Suitable for use on fire doors.



Specifications:

- Grade 4
- Spring support rose
- 8 mm square follower 30 degree cam
- Doorthickness 37-65 mm
- Incl. fixing kit

Accessories:



EN 1906:2012

3/4	7	—	—	0	3	0	B
-----	---	---	---	---	---	---	---