

TECHNICAL DATASHEET

4tecx deurdranger TS 6193 B/G



Art.nr.	Product size (body)	Side	Minimal order unit	EAN-Code
4051000124	287 x 62 x 49 mm	Hinge	1 piece(s)	8715883019156
4051000130	287 x 62 x 49 mm	Hinge-opposite	1 piece(s)	8715883019163

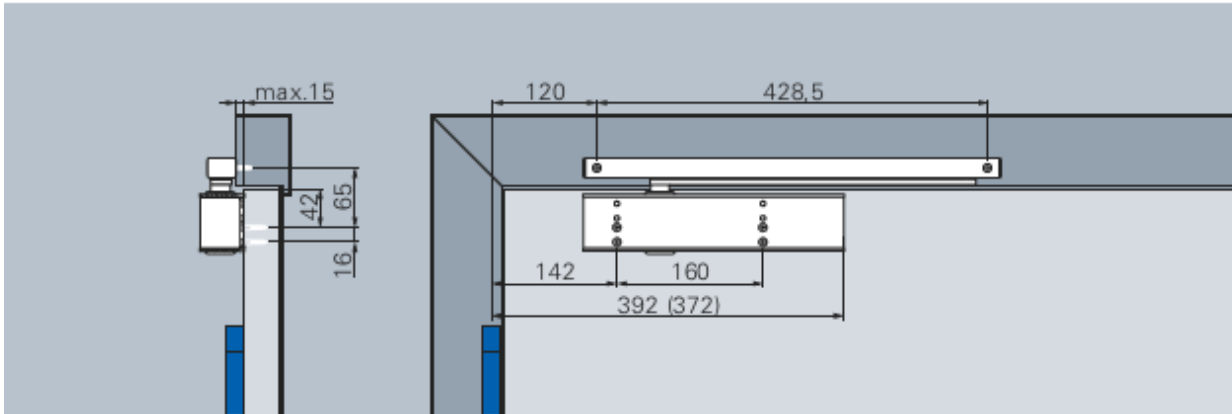
Product characteristics		
Closing force (stepwise adjustable)	Size acc. To EN	2 – 5 <input checked="" type="checkbox"/>
Door width	Acc. To EN ≤ 1.250 mm	<input checked="" type="checkbox"/>
Dimensions (incl. mounting plate)	Length in mm	287
	Depth in mm	49
	Height in mm	62
Mounting plate acc. To EN 1154 A (supplementary sheet 1)		<input checked="" type="checkbox"/>
Hinge side and hinge-opposite side		<input type="checkbox"/>
DIN left / Right		<input checked="" type="checkbox"/>
Back-check (constant)		<input checked="" type="checkbox"/>
Latching speed (Continuously adjustable)		<input checked="" type="checkbox"/>
Closing speed (Continuously adjustable)		<input checked="" type="checkbox"/>
Delayed action Not fire certified (continuously adjustable)		<input type="checkbox"/>
Tested acc. To EN		EN 1154 A
Suitable for fire- and smoke control doors		<input checked="" type="checkbox"/>
Certified according to EU-Directive		CE

Product information:

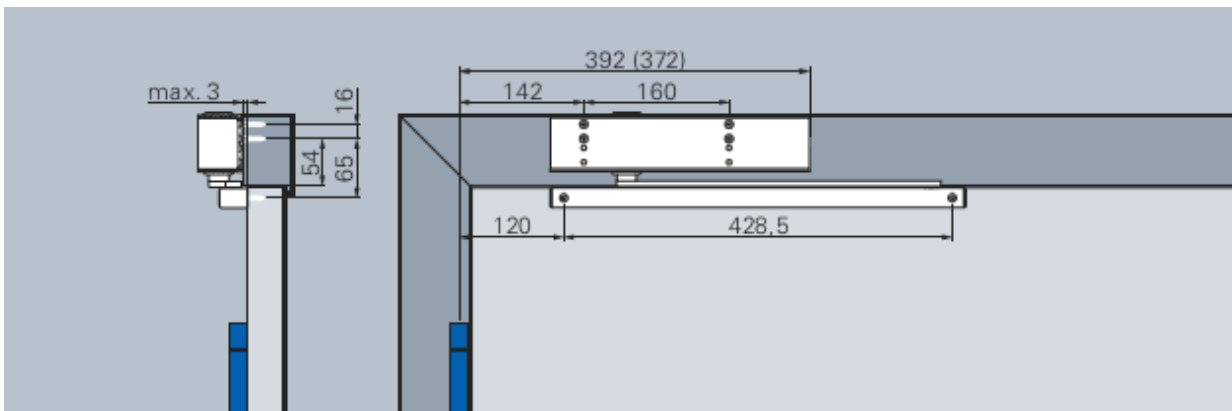
Closing force 2 - 5, tested acc. to **EN 1154 A** (for door widths up to 1.250 mm (1.400 mm) continuously adjustable. Latching speed and closing speed and back-check continuously adjustable. Same version DIN left and DIN right. Mounting height only 49 mm. Door opening angle: 180°

Hinge side

Mounting with side rail B, illustration DIN left door, DIN right laterally reversed.

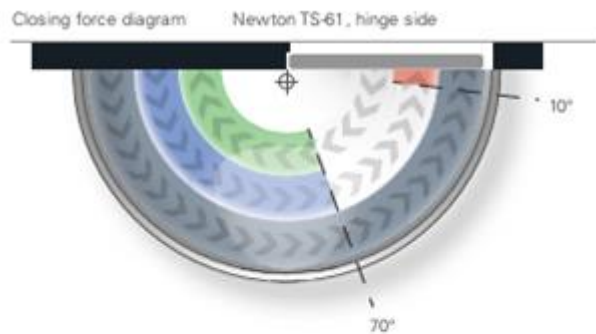


Standard mounting TS-61 with slide rail B, hinge side



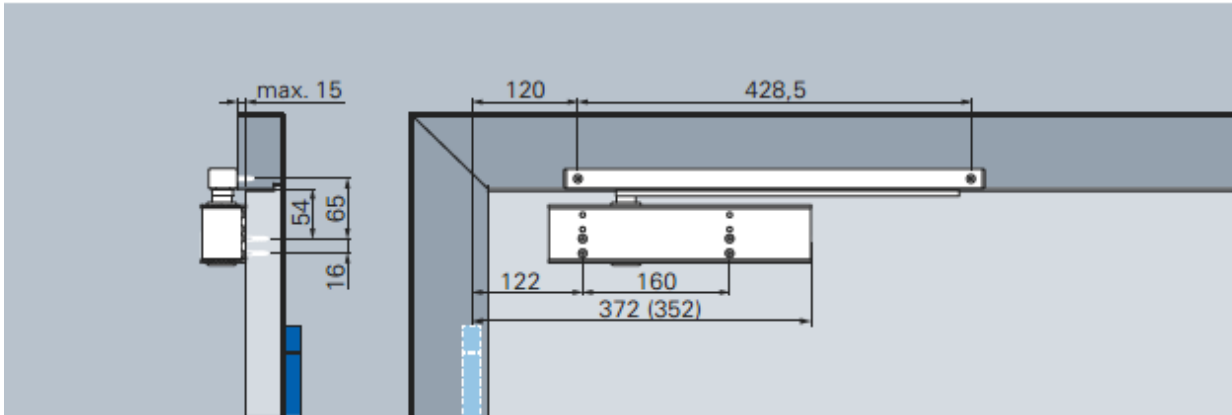
Head mounting TS-61 G with slide rail B, hinge side

- Closing speed**
 Continuously adjustable closing speed from approx. 180° to 0°
- Latching speed**
 Increases the closing speed and thus the safe closing of the door, for example to overcome door seals, door locks and high air pressure. Continuously adjustable, works between 10 to 0°
- Back-check**
 Reduces the opening speed starting at 70° and avoids the slamming of the door. Back-check continuously adjustable
- Delayed action (as option)**
 Reduces the closing speed and allows a safer passing for people and transports. Especially suitable for the use in nursing homes and hospitals. Delay action continuously adjustable. Works between 180° to 70°.

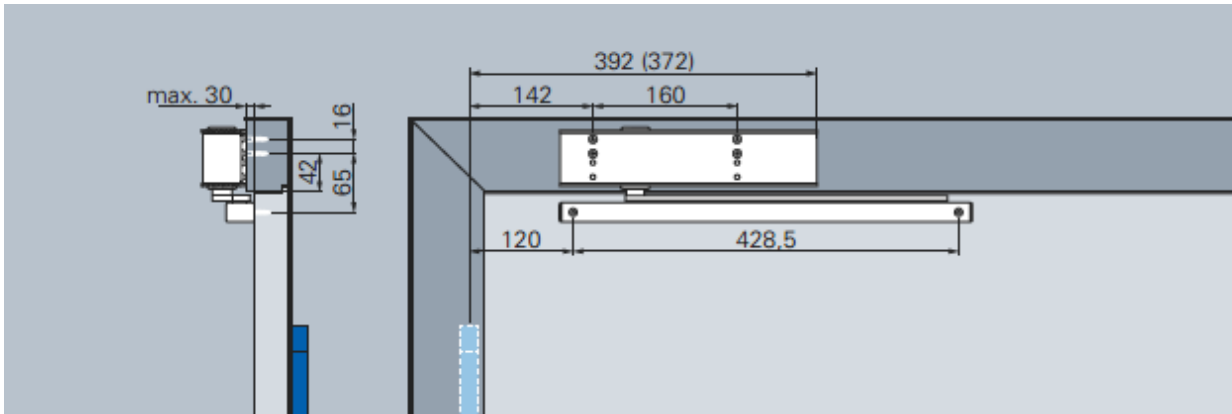


Hinge-opposite side

Mounting with slide rail B, illustration DIN right door, DIN right laterally reversed

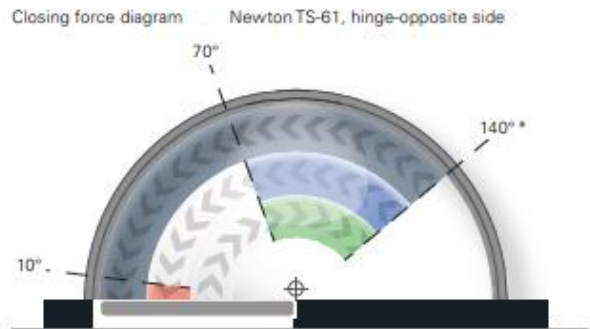


Standard mounting TS-61 G with slide rail B, hinge-opposite side



Head mounting, hinge-opposite side (TS-50 Standard, direct mounting, without mounting plate)

- Closing speed**
 Continuously adjustable closing speed from approx. 140°* to 0°
- Latching speed**
 Increases the closing speed and thus the safe closing of the door, for example to overcome door seals, door locks and high air pressure. Continuously adjustable, works between 10 to 0°
- Back-check**
 Reduces the opening speed starting at 70° and avoids the slamming of the door. Back-check continuously adjustable
- Delayed action (as option)**
 Reduces the closing speed and allows a safer passing for people and transports. Especially suitable for the use in nursing homes and hospitals. Delay action continuously adjustable. Works between 140°* to 70°



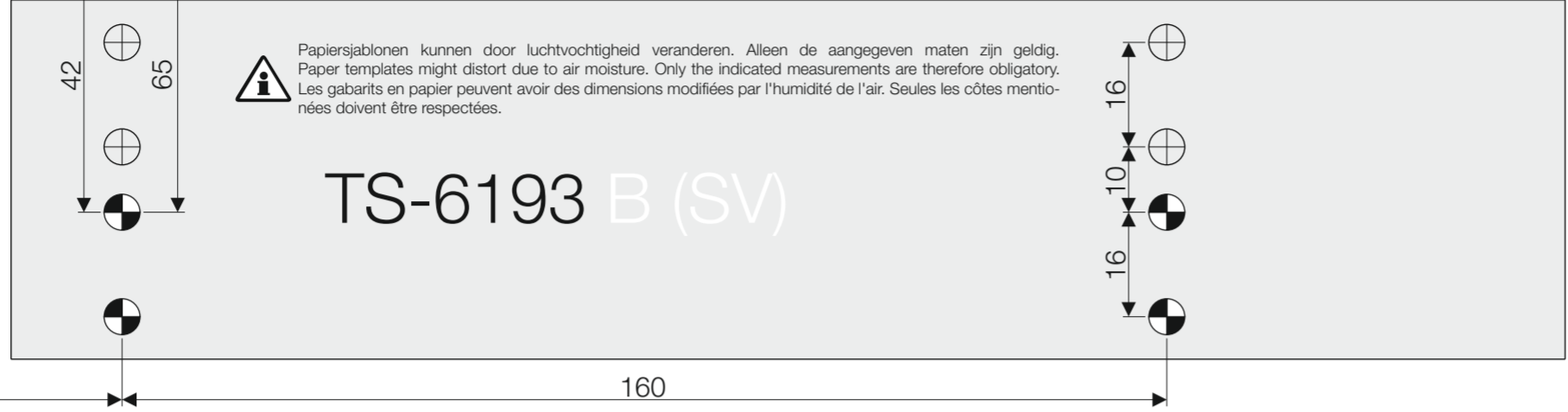
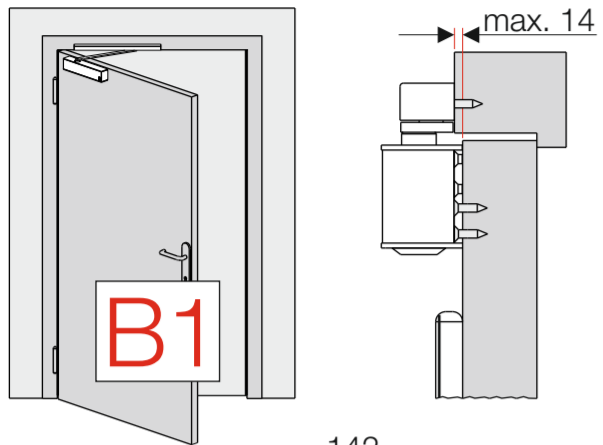
*Varies according to door thickness and type of hinge

A door stopper for opening limit is a must!

GS B

428,5

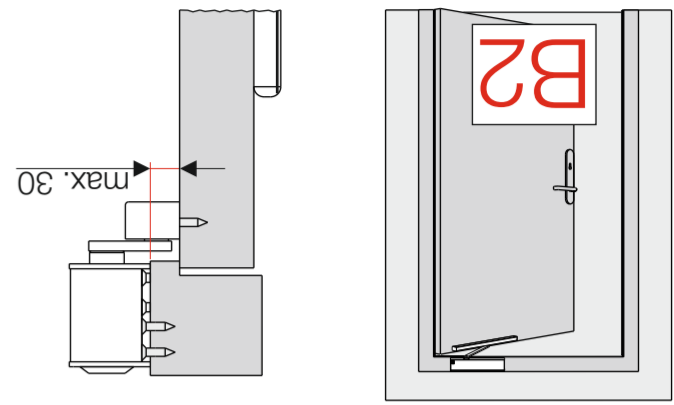
120



Gaten volgens bijlage 1 volgens DIN EN 1154

Drillings according to supplemental sheet 1 DIN EN 1154

Alésage selon supplément 1 DIN EN 1154



TS-6193 B (SV) EN 2-5

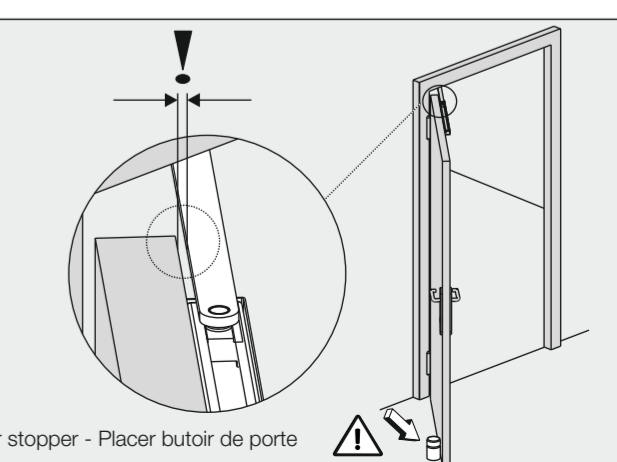
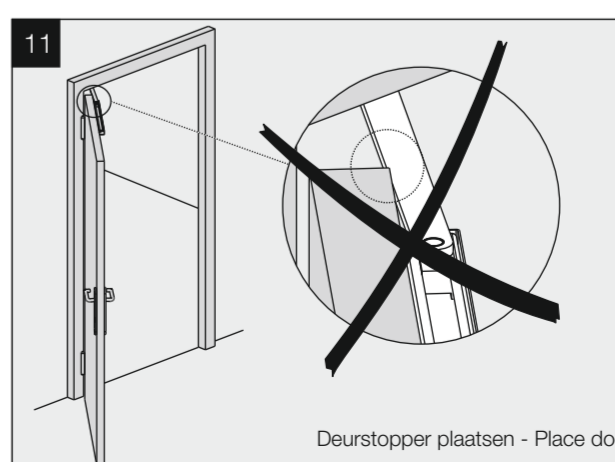
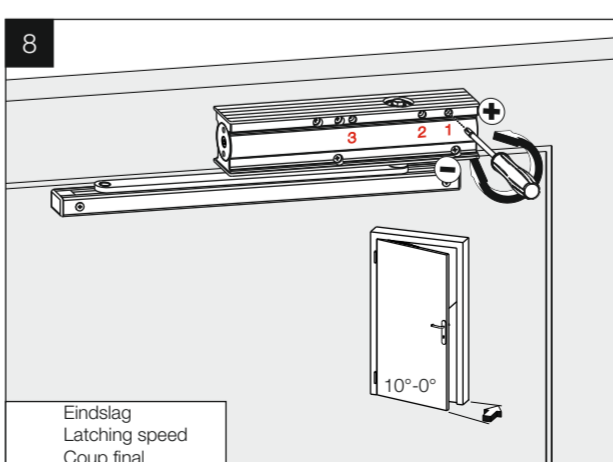
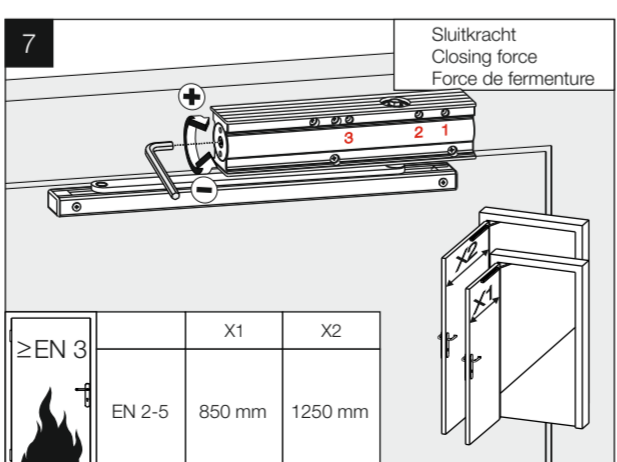
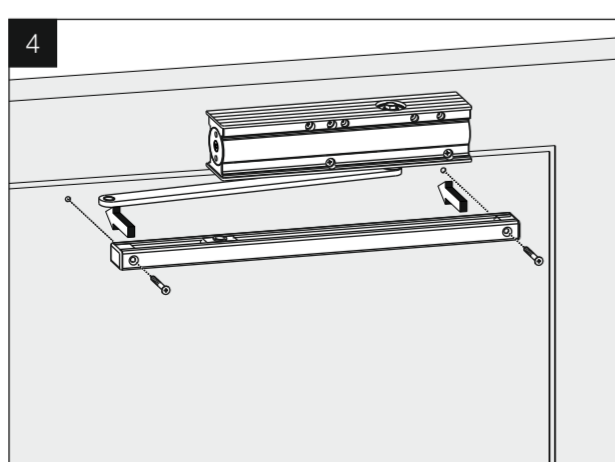
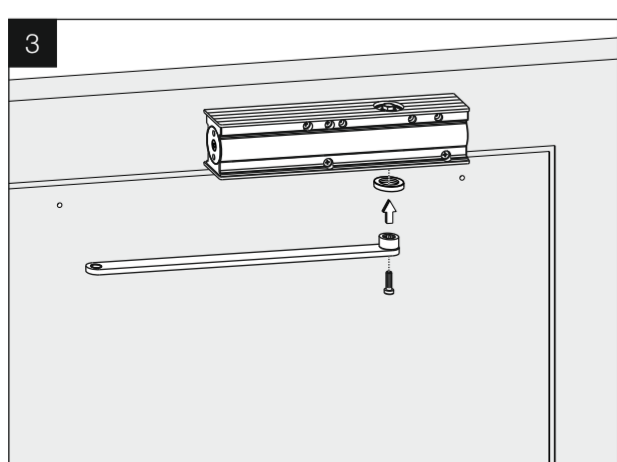
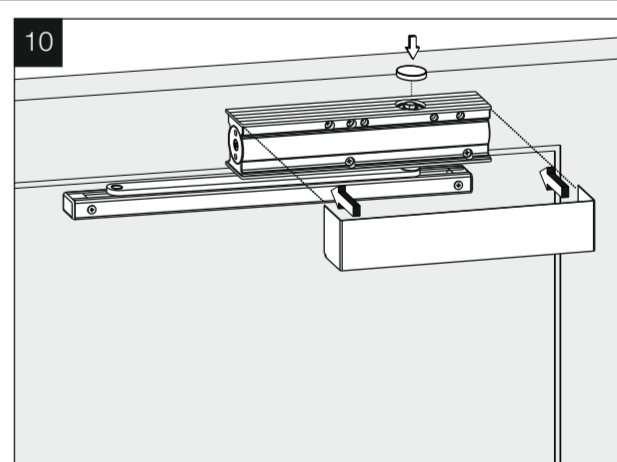
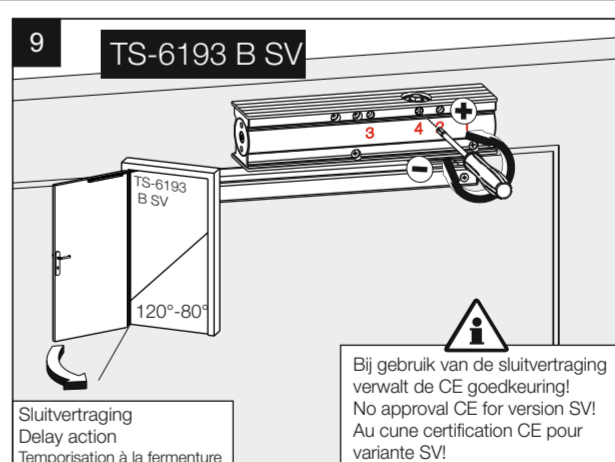
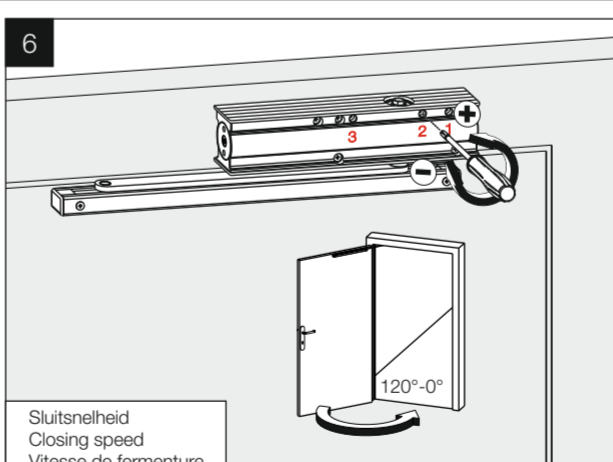
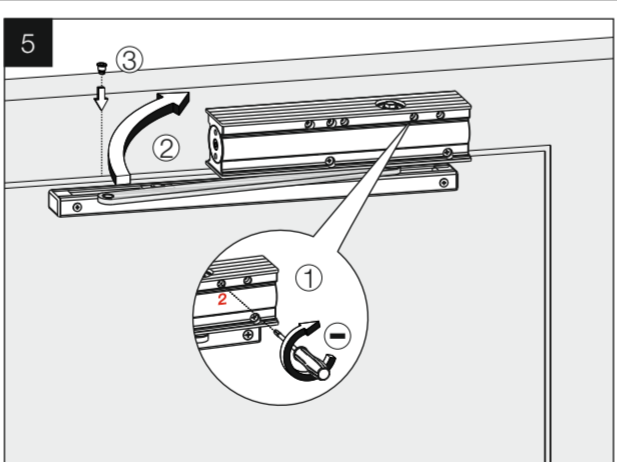
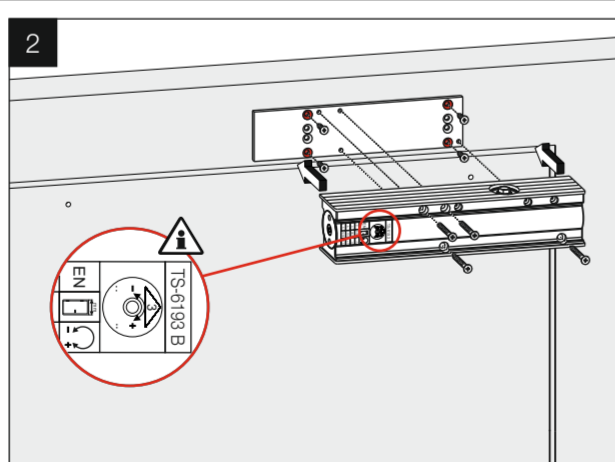
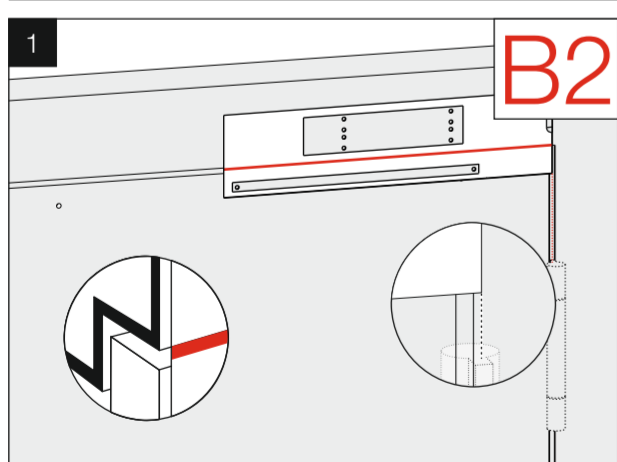
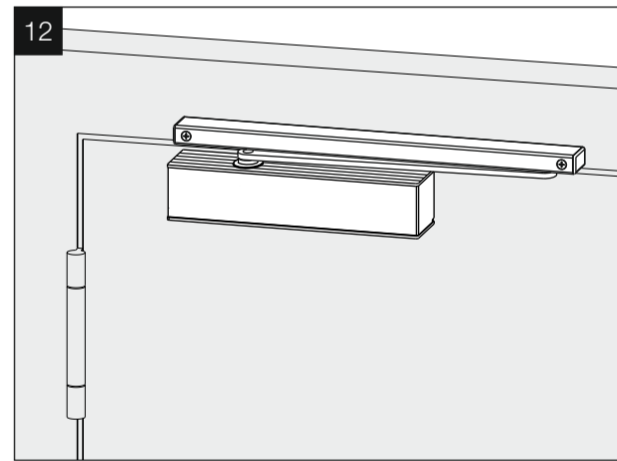
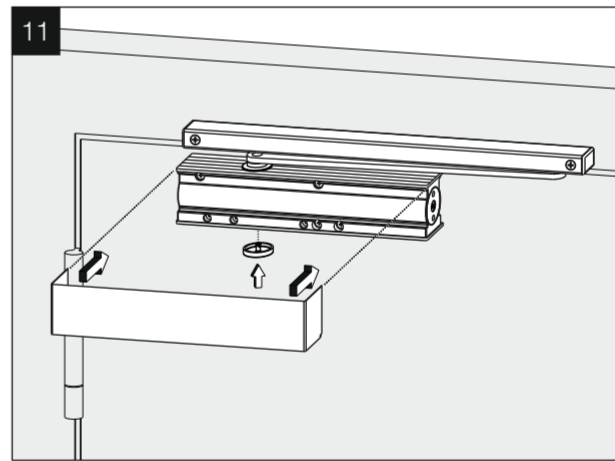
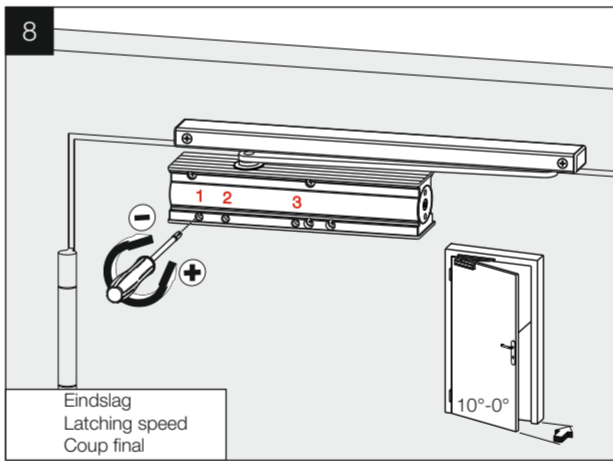
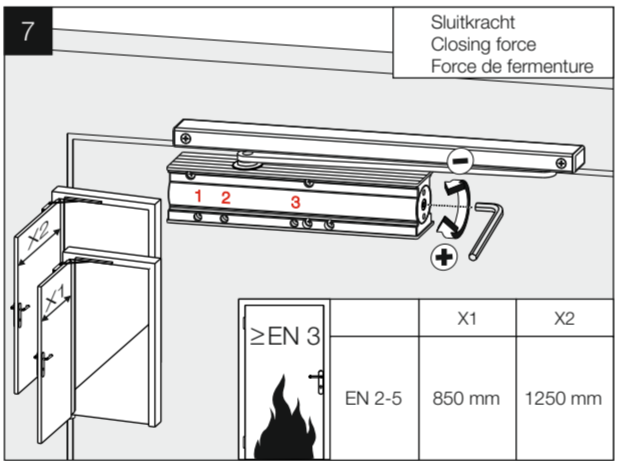
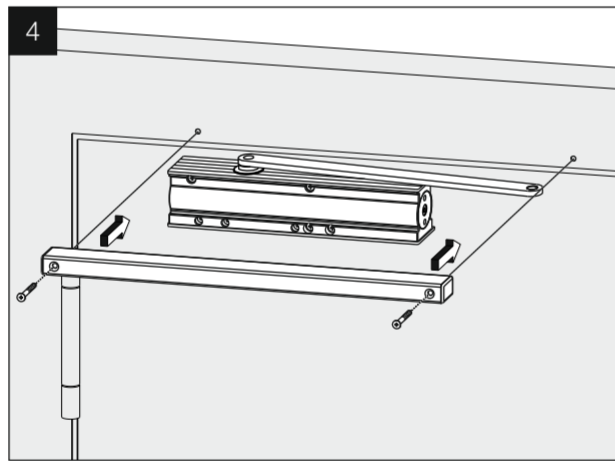
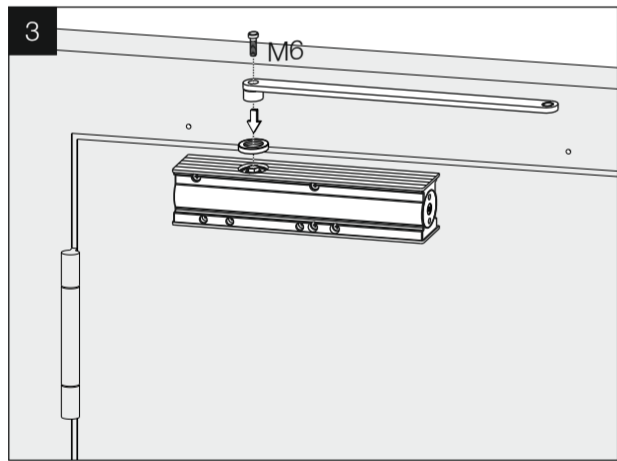
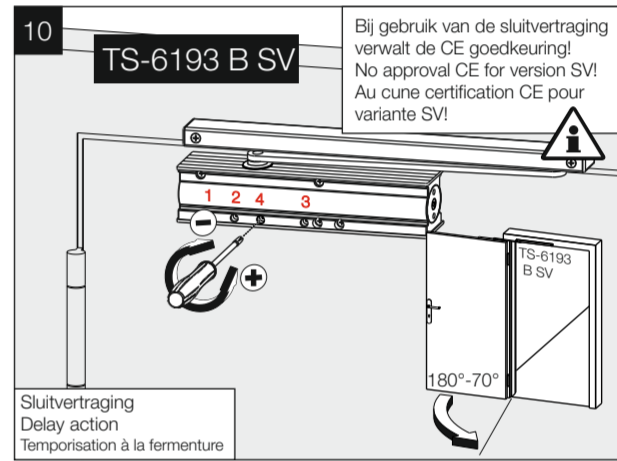
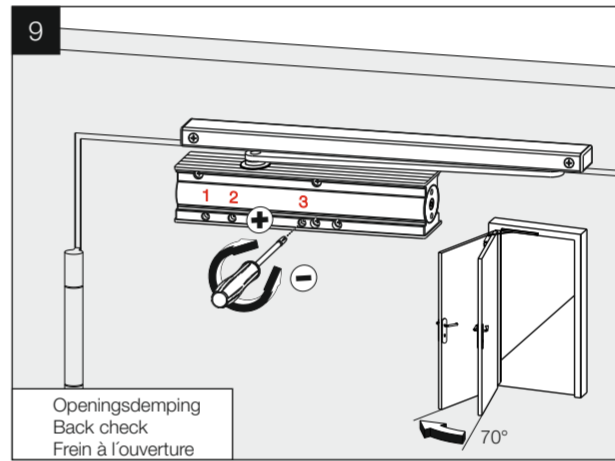
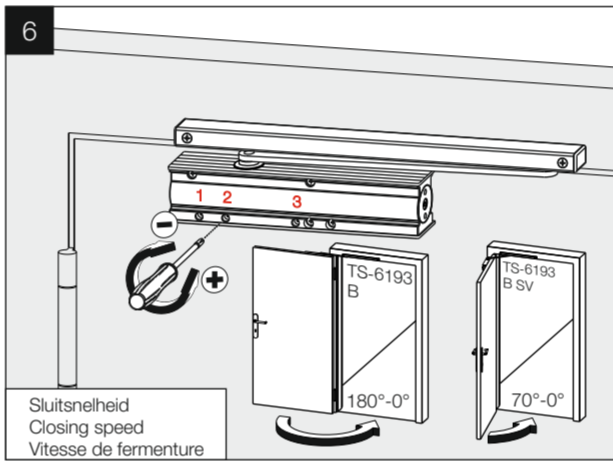
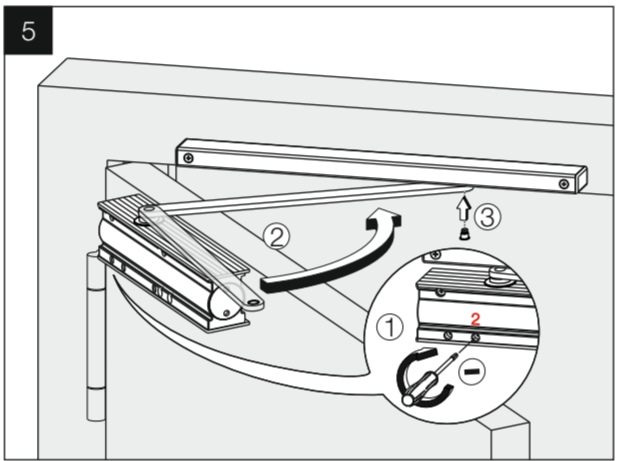
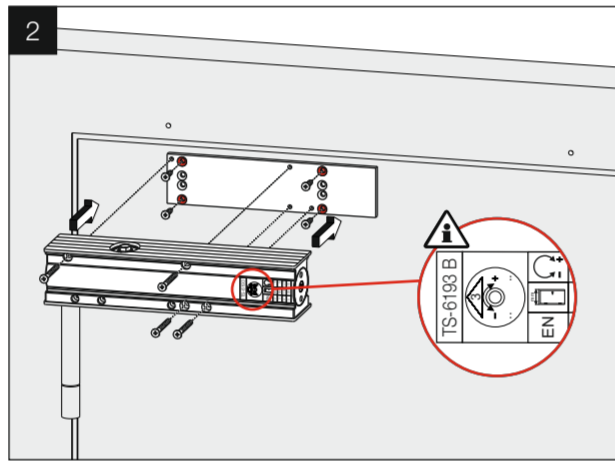
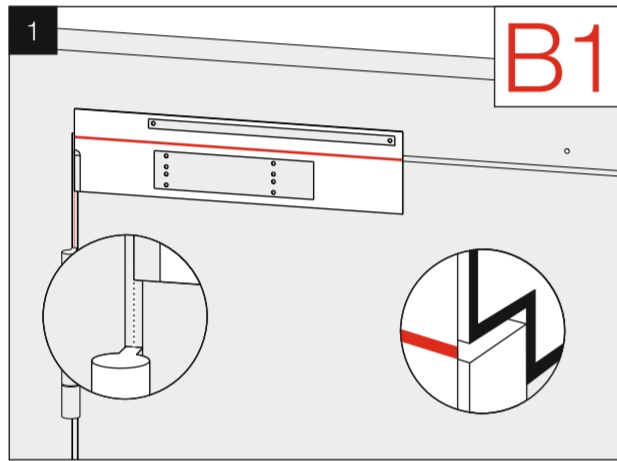
CE	ECO Schulte GmbH & Co. KG Isertorhner Landstraße 117 D-58706 Menden	06
0432 - CPD - 0031	EN 1154:1996+A1:2002	4 8 2-5 1 1 4

TS-6193 B SV EN 2-5	Deurdranger grootte Door closer size Force de ferme porte	Max. deurbreedte Max. door width Largeur de porte max.	Rotaties Rotations Rotations
■2	850 mm	-5	
■3	950 mm	0	
■4	1100 mm	+7	
■5	1250 mm	+15	

Voor de Montage mogen uitsluitend originele delen van de fabrikant gebruikt worden. De montagewerkzaamheden dienen volgens de handleiding en door een gekwalificeerd iemand te geschieden. Indien niet aan deze voorwaarden wordt voldaan, vervalt de garantie.

Only original parts have to be used. The assembly has to be made by a qualified person according to the mounting instruction. In case of non-respect the guarantee is invalid.

Impérativement utiliser la notice de montage fournie par le fabricant. La mise en œuvre et le montage doivent être exécutés par du personnel qualifié. Le non respect de ces règles annule catégoriquement tout droit de garantie.



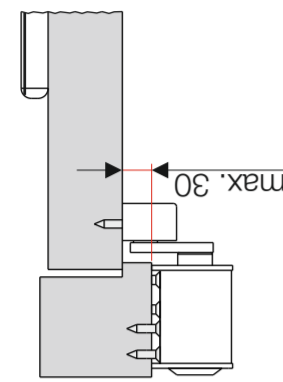
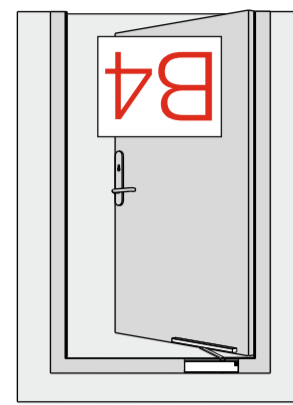
Afhankelijk van de deurbreedte en van het scharnertype kan de sluitvertraging vervalt de CE goedkeuring!
Angle indication of delayed action can be different depending on door thickness and type of hinge.
L'indication de la temporisation à la fermeture pourra varier selon l'épaisseur de la porte et le type de paumelle.

© Änderungen vorbehalten / MTS00360 / Inbauc a

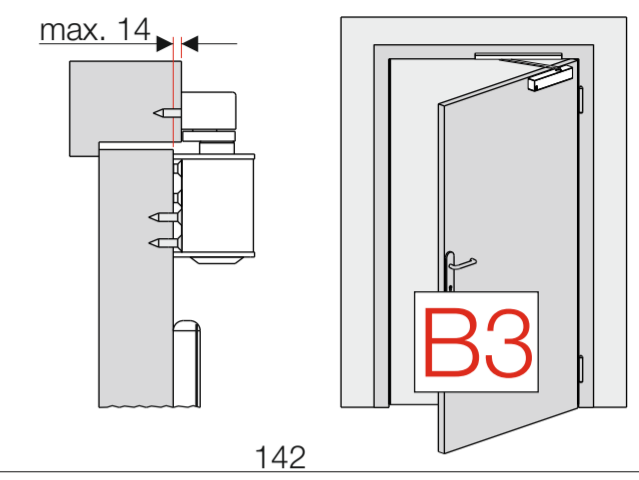
GS B

428,5

120



Gaten volgens bijlage 1 volgens DIN EN 1154
 Drillings according to supplemental sheet 1 DIN EN 1154
 Alésage selon supplément 1 DIN EN 1154



TS-6193 B (SV) EN 2-5

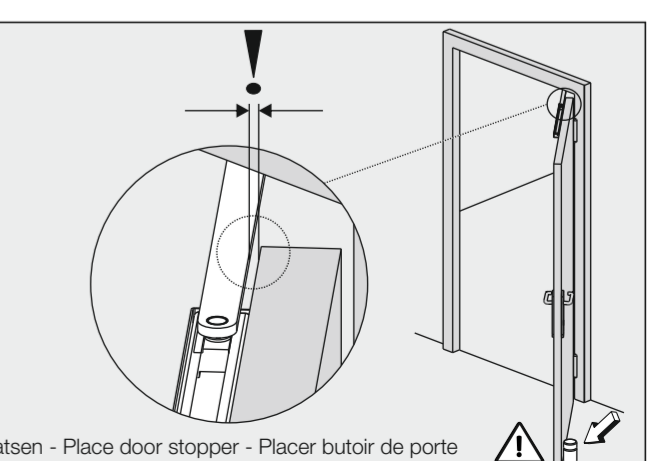
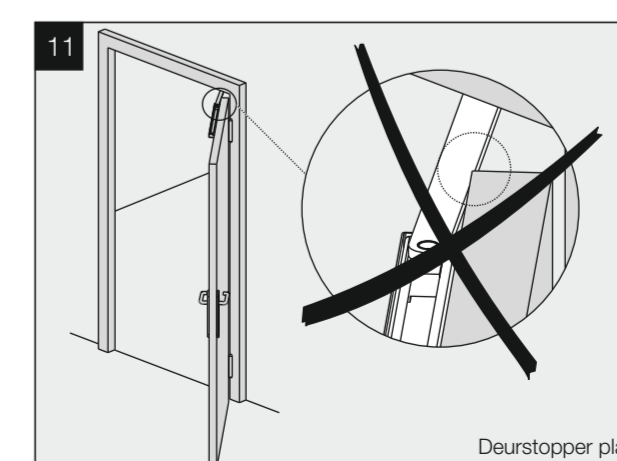
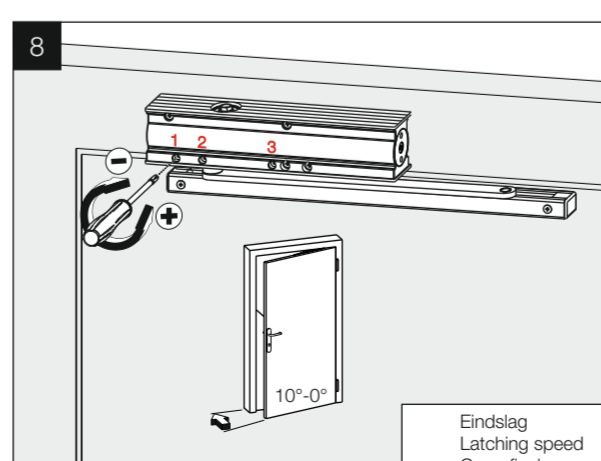
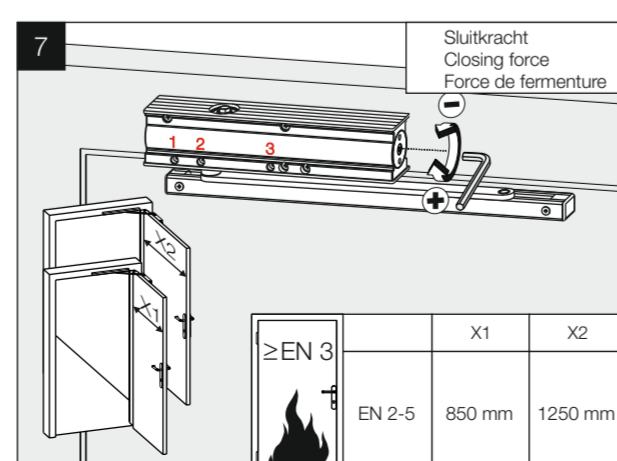
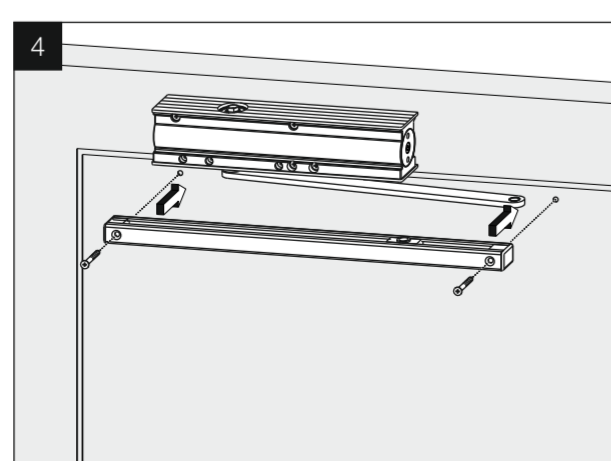
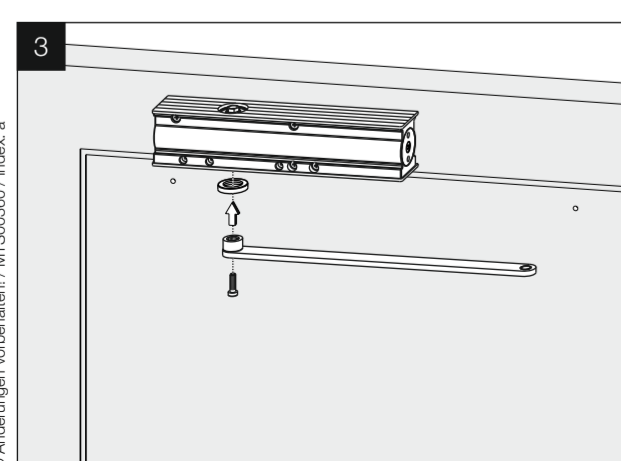
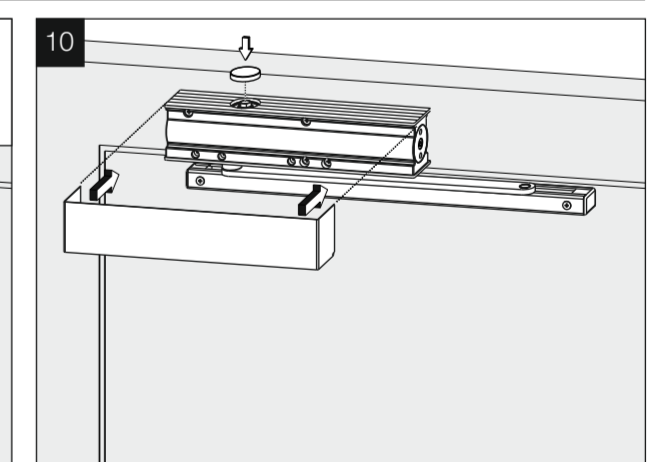
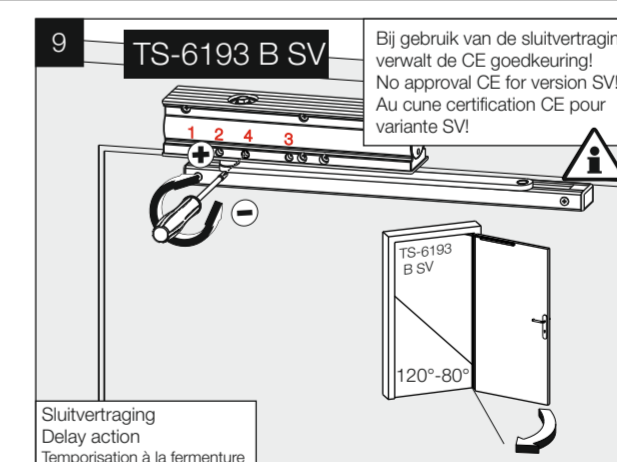
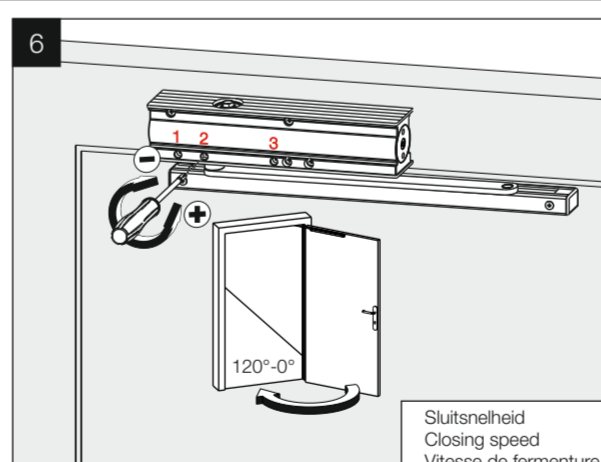
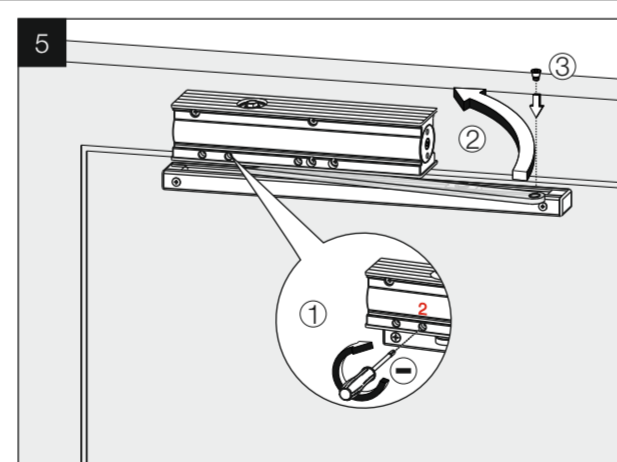
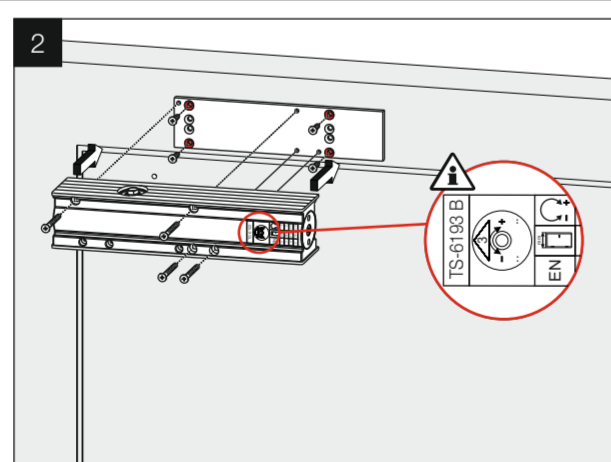
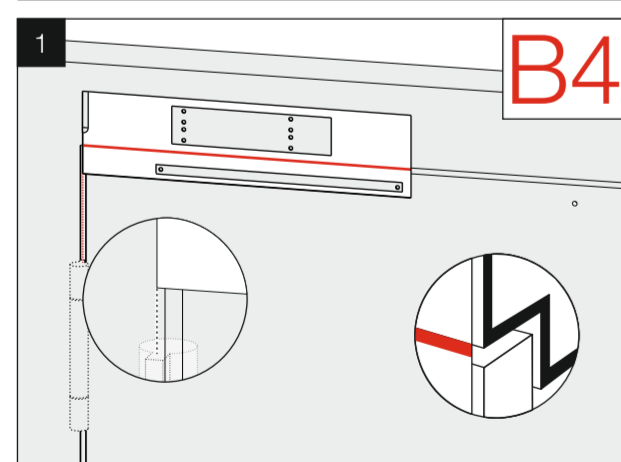
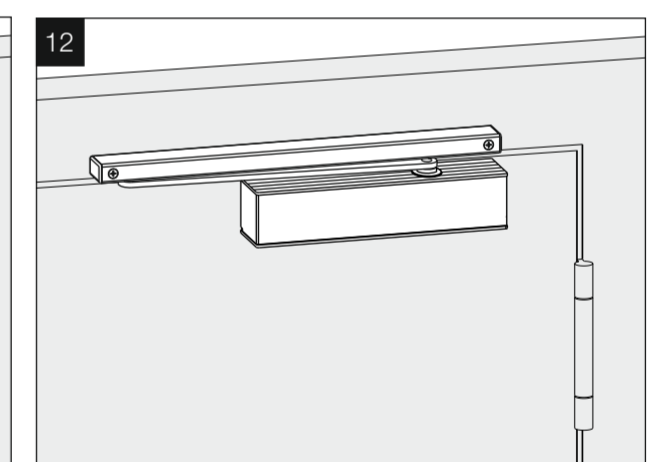
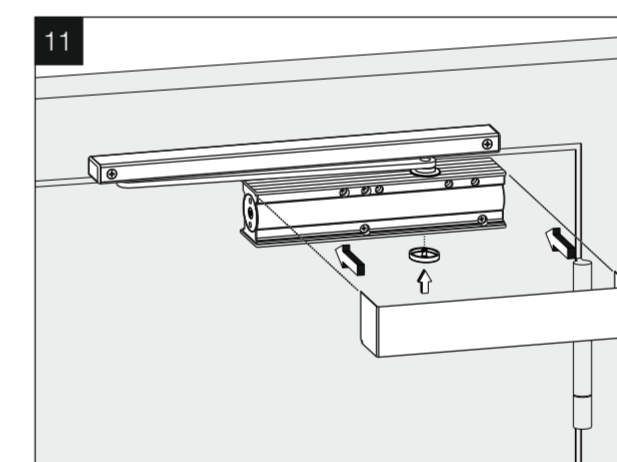
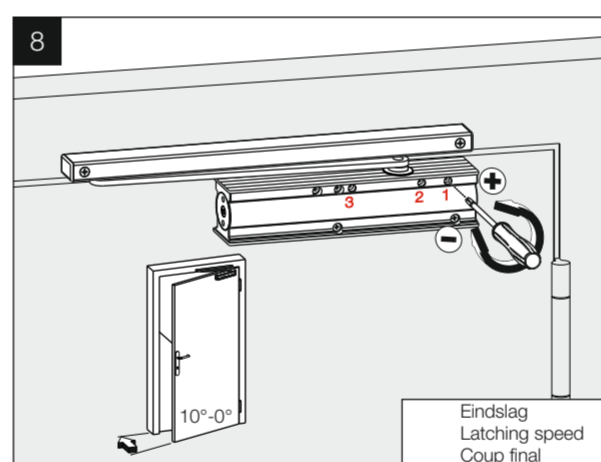
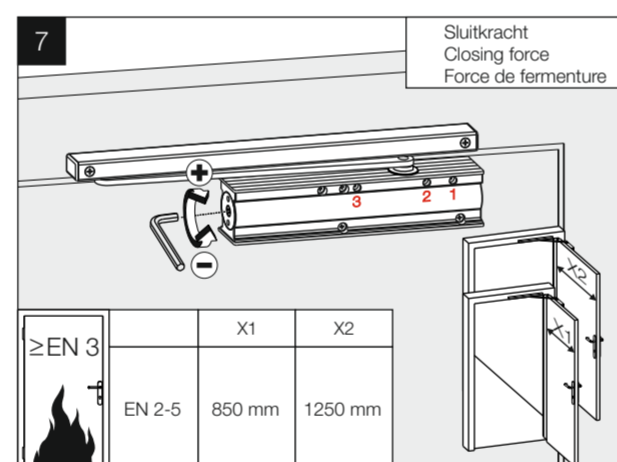
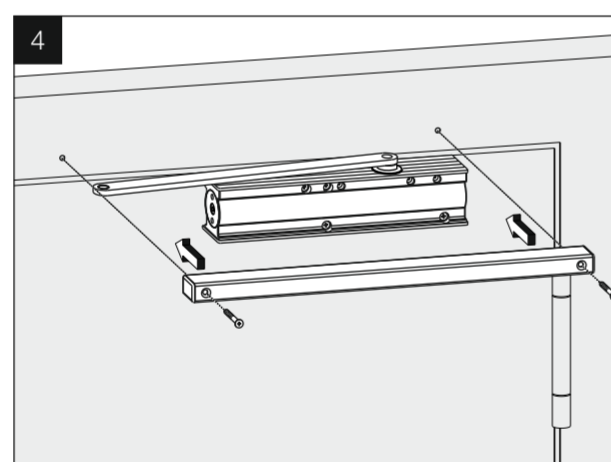
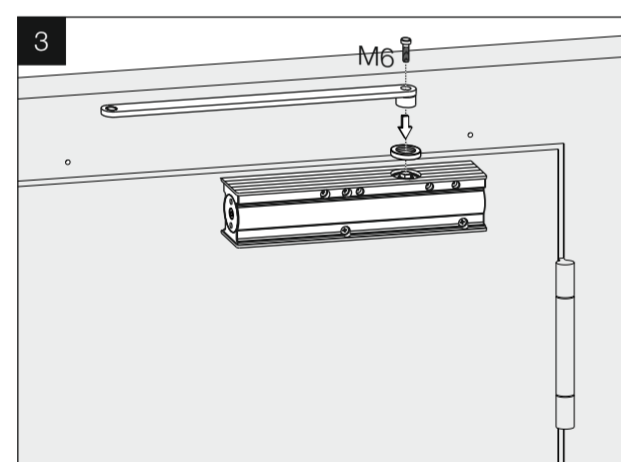
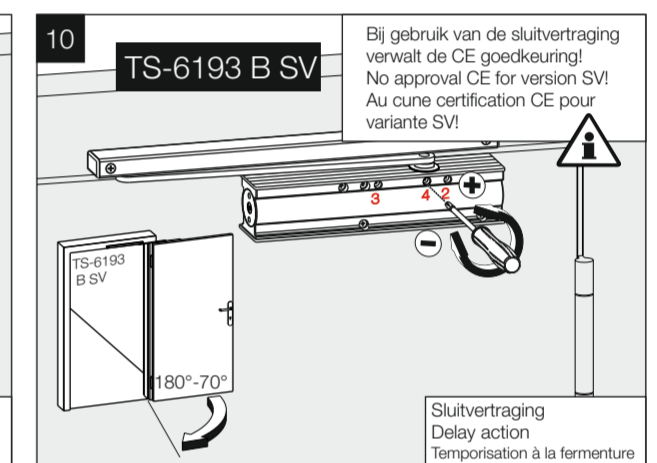
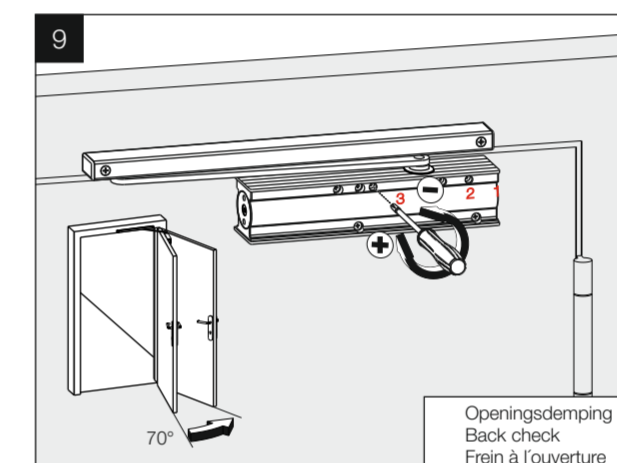
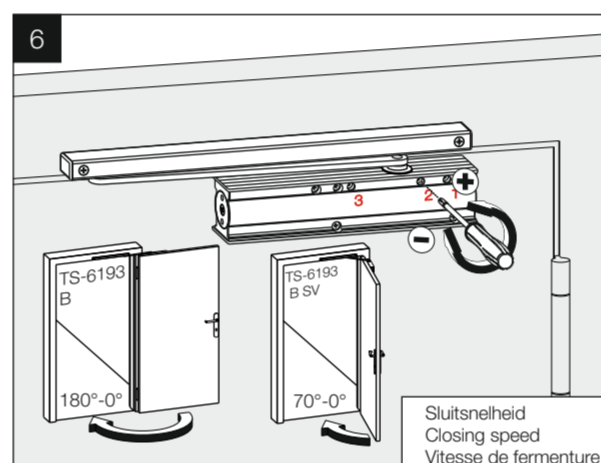
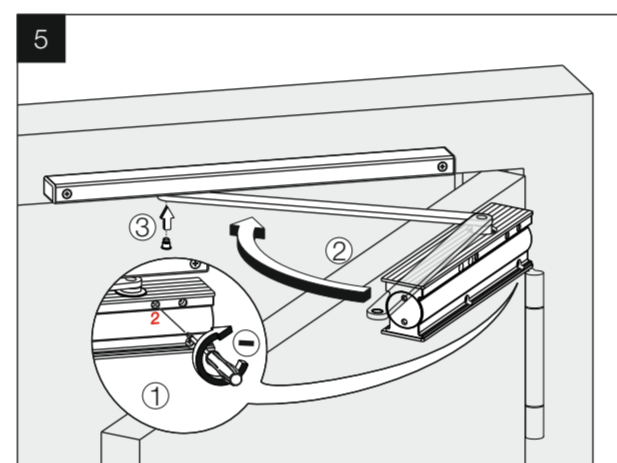
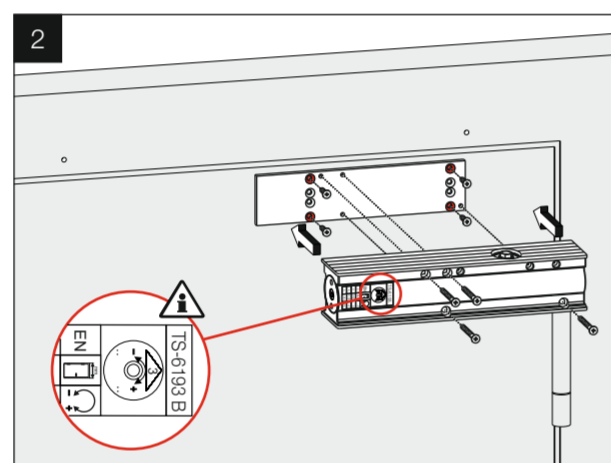
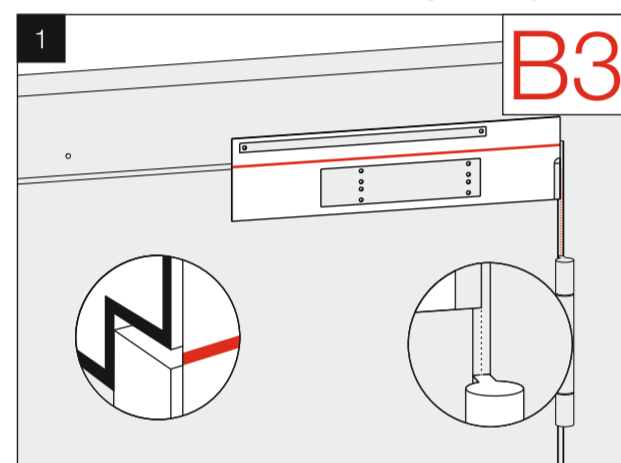
CE	ECO Schulte GmbH & Co. KG Iserlohrer Landstraße 117 D-58706 Menden	06
0432 - CPD - 0031	EN 1154:1996+A1:2002	4 8 2-5 1 1 4

Deurdranger grootte Door closer size Force de ferme porte	Max. deurbreedte Max. door width Largur de porte max.	Rotaties Rotations Rotations
■2	850 mm	-5
■3	950 mm	0
■4	1100 mm	+7
■5	1250 mm	+15

Voor de Montage mogen uitsluitend originele delen van de fabrikant gebruikt worden. De montagewerkzaamheden dienen volgens de handleiding en door een gekwalificeerd iemand te geschieden. Indien niet aan deze voorwaarden wordt voldaan, vervalt de garantie.

Only original parts have to be used. The assembly has to be made by a qualified person according to the mounting instruction. In case of non-respect the guarantee is invalid.

Impérativement utiliser la notice de montage fournie par le fabricant. La mise en œuvre et le montage doivent être exécutés par du personnel qualifié. Le non respect de ces règles annule catégoriquement tout droit de garantie.



Afhankelijk van de deurbreedte en van het scharnietype kan de sluitvertraging verschillen.
 Angle indication of delayed action can be different depending on door thickness and type of hinge.
 L'indication de la temporisation à la fermeture pourra varier selon l'épaisseur de la porte et le type de paumelle.