

TECHNICAL DATASHEET

4tecx deurdranger TS 4192



Art.nr.	Product size (body)	Minimal order unit	EAN-Code
4051000363	243 x 56 x 41 mm	1 piece(s)	8715883026192

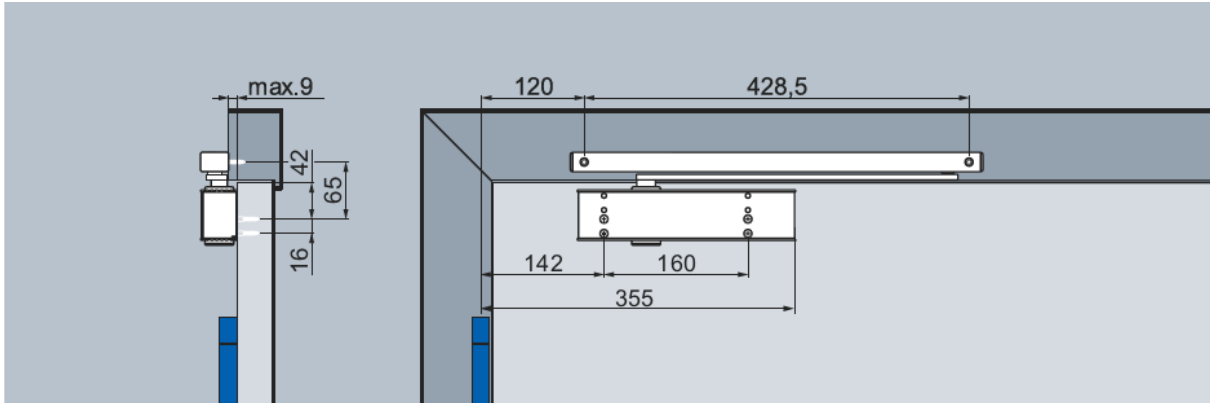
Product characteristics		
Closing force <small>(Continuously adjustable)</small>	Size acc. To EN	1 – 4
Door width	Acc. To EN ≤ 1.100 mm	■
Dimensions <small>(incl. mounting plate)</small>	Length in mm	243
	Depth in mm	41
	Height in mm	56
Mounting plate acc. to EN 1154 A (supplementary sheet 1) with GS B		<input type="checkbox"/>
Hinge side and hinge-opposite side		■
DIN left / Right		■
Back-check <small>(constant)</small>		■
Latching speed <small>(Continuously adjustable)</small>		■
Closing speed <small>(Continuously adjustable)</small>		■
Delayed action <small>(continuously adjustable)</small>		-
Tested acc. To EN		EN 1154 A
Suitable for fire- and smoke control doors		F
Certified according to EU-Directive		CE

Product information:

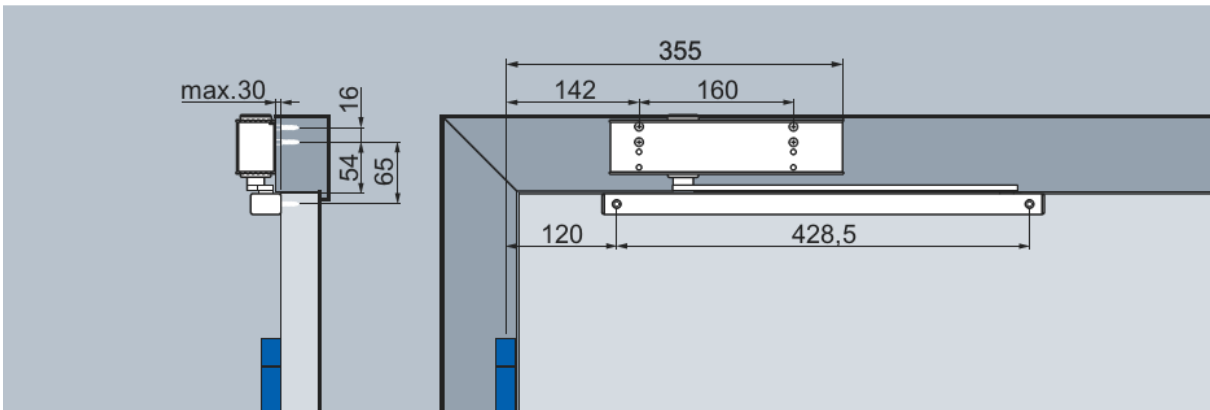
Closing force 1 – 4, tested acc. to **EN 1154 A** (for door width up to 1.100 mm) continuously adjustable. Latching speed and closing speed continuously adjustable. Back-check fixed. Same version DIN left and DIN right. Mounting height only 41 mm. Weight: 1.380g. Max. door opening angle: 180°

Hinge side

Mounting with side rail B, illustration DIN left door, DIN right laterally reversed.

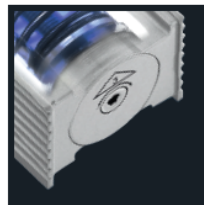
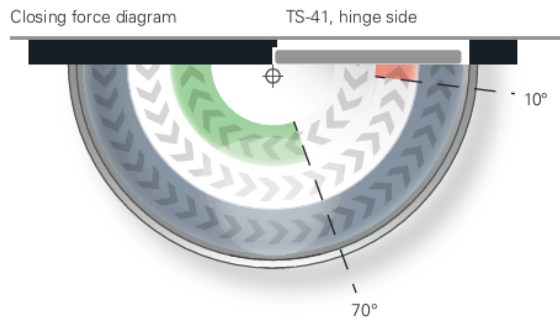


Standard mounting with slide rail B, hinge side (Mounting, with mounting plate)



Head mounting with slide rail B, hinge side (Mounting, with mounting plate)

- **Closing speed**
Continuously adjustable closing speed from approx. 180° to 0°
- **Latching speed**
Increases the closing speed and thus the safe closing of the door, for example to overcome door seals, door locks and high air pressure. Continuously adjustable, works between 10 to 0°
- **Back-check**
Reduces the opening speed starting at 70° and avoids the slamming of the door. Back-check fixed

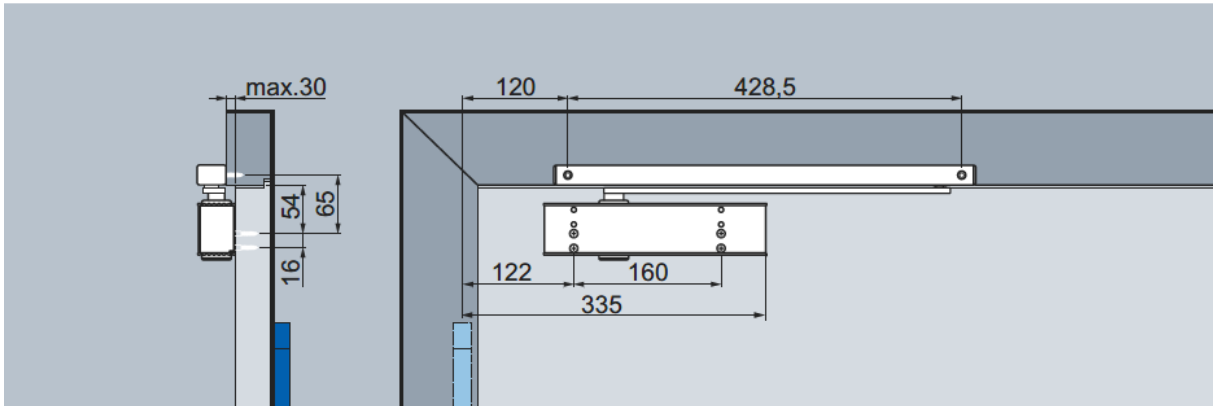


Closing force:
Continuously adjustable min. size 1
max. size 4
Default delivery condition: size 3

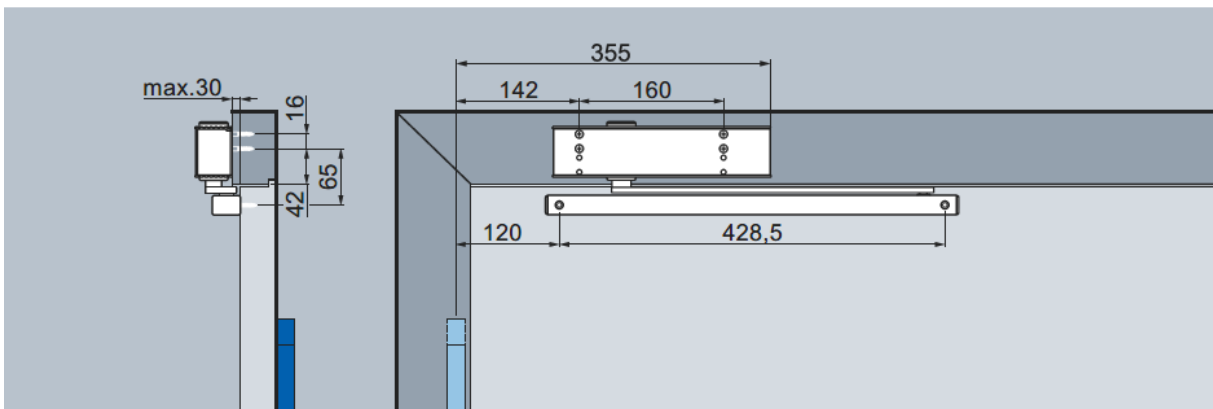
Back-check out of order for head mounting.

Hinge-opposite side

Mounting with slide rail B, illustration DIN right door, DIN right laterally reversed

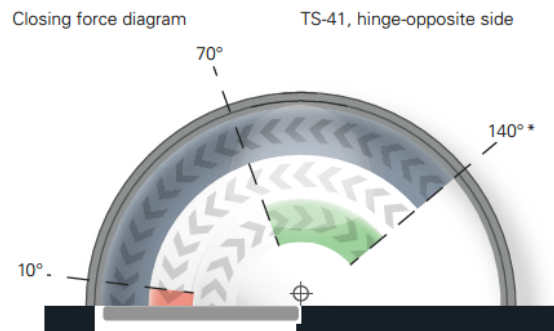


Standard mounting with slide rail B, hinge-opposite side (Mounting, with mounting plate)



Head mounting with slide rail B, hinge-opposite side (Mounting, with mounting plate)

- **Closing speed**
 Continuously adjustable closing speed from approx. 140°* to 0°
- **Latching speed**
 Increases the closing speed and thus the safe closing of the door, for example to overcome door seals, door locks and high air pressure. Continuously adjustable, works between 10 to 40°
- **Back-check**
 Reduces the opening speed starting at 70° and avoids the slamming of the door. Back-check fixed



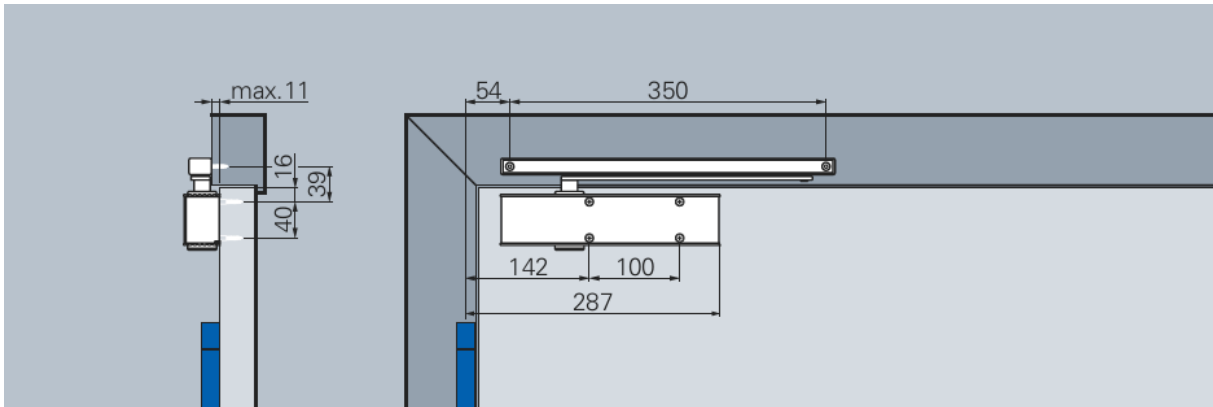
*Varies according to door thickness and type of hinge

A door stopper for opening limit is a must!

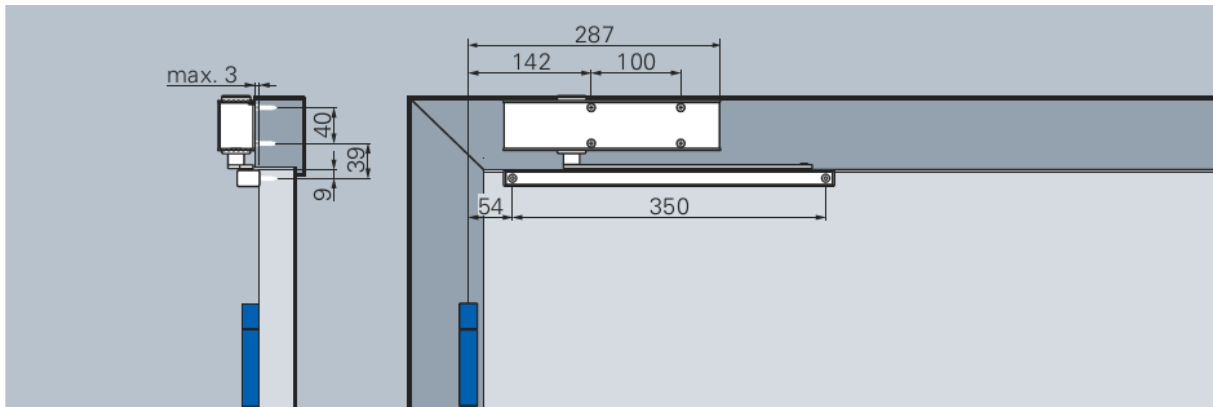
Back-check out of order for head mounting.

Hinge side

Mounting with slide rail K, illustration DIN left door, DIN right laterally reversed

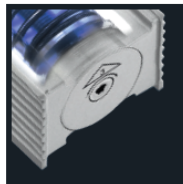
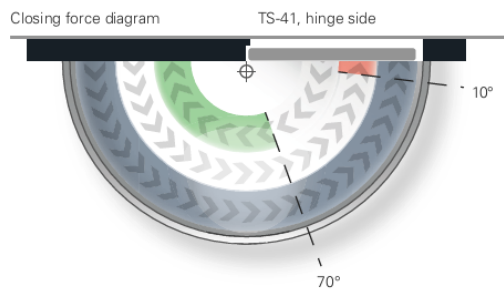


Standard mounting with slide rail K, hinge side (Direct mounting, without mounting plate)



Head mounting with slide rail K, hinge side (Direct mounting, without mounting plate)

- **Closing speed**
 Continuously adjustable closing speed from approx. 180° to 0°
- **Latching speed**
 Increases the closing speed and thus the safe closing of the door, for example to overcome door seals, door locks and high air pressure. Continuously adjustable, works between 10 to 0°
- **Back-check**
 Reduces the opening speed starting at 70° and avoids the slamming of the door. Back-check fixed

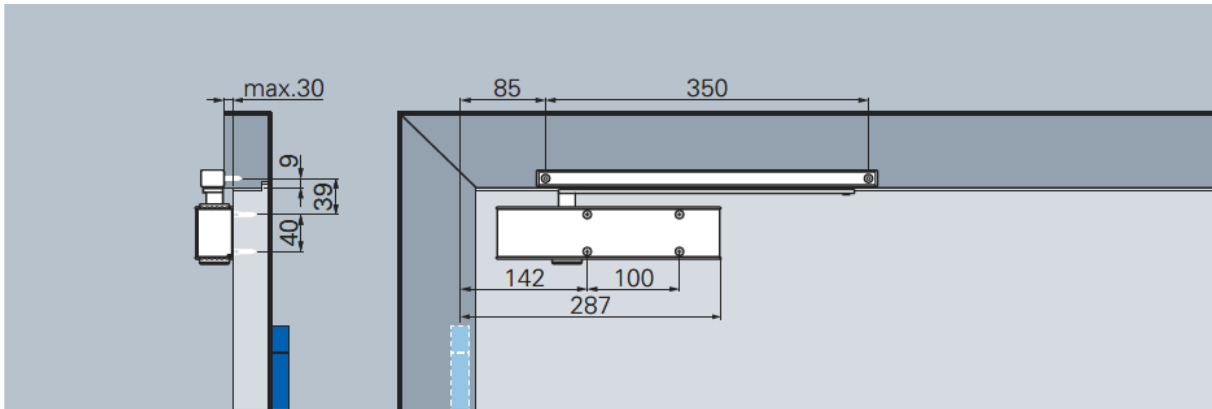


Closing force:
Continuously adjustable min. size 1
 max. size 4
Default delivery condition: size 3

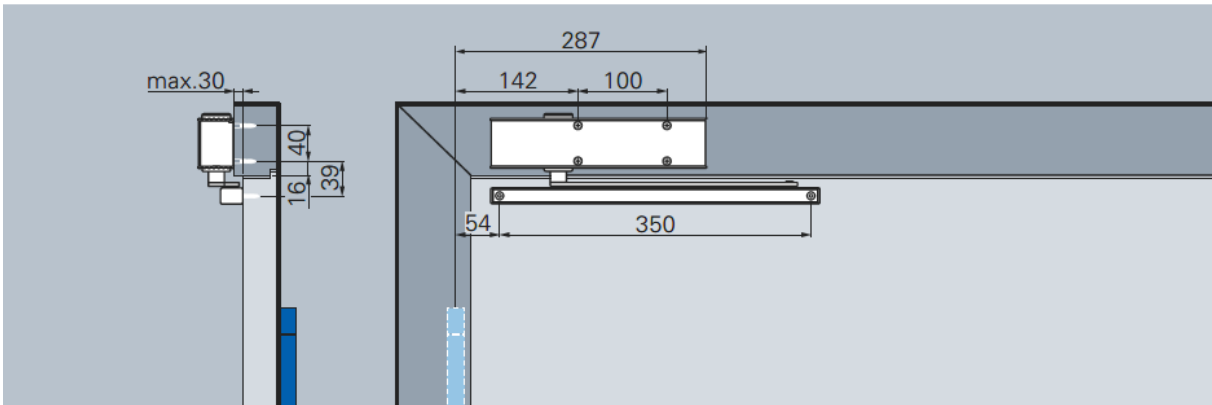
Back-check out of order for head mounting.

Hinge side

Mounting with slide rail K, illustration DIN right door, DIN right laterally reversed

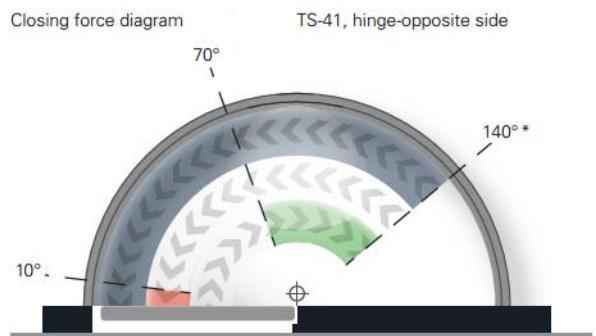


Standard mounting with slide rail K, hinge-opposite side (Direct mounting, without mounting plate)



Head mounting with slide rail K, hinge-opposite side (Direct mounting, without mounting plate)

- **Closing speed**
 Continuously adjustable closing speed from approx. 140°* to 0°
- **Latching speed**
 Increases the closing speed and thus the safe closing of the door, for example to overcome door seals, door locks and high air pressure. Continuously adjustable, works between 10 to 0°
- **Back-check**
 Reduces the opening speed starting at 70° and avoids the slamming of the door. Back-check fixed



*Varies according to door thickness and type of hinge

A door stopper for opening limit is a must!

Back-check out of order for head mounting.

