

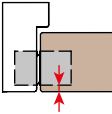
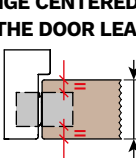
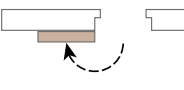
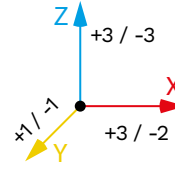

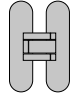

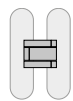





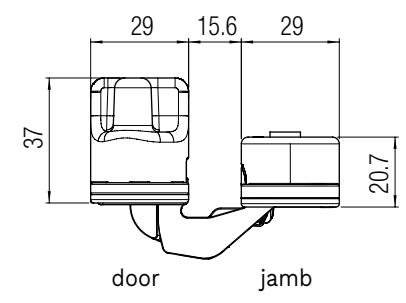
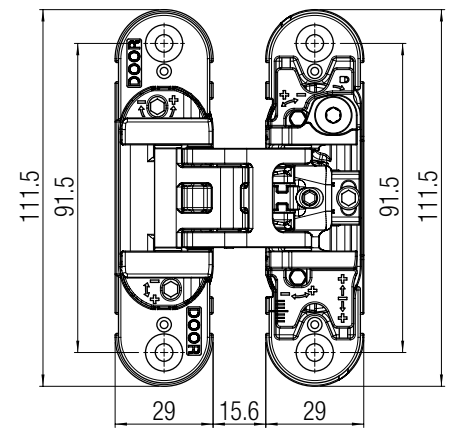
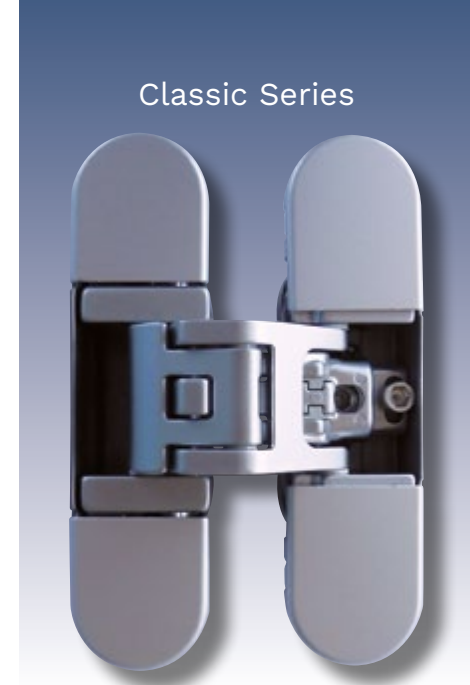
**COMBIPOWER.NL**

**Combi Power BV**  
**Retselseweg 6 | 5473 HC Heeswijk-Dinther**  
**sales@combipower.nl**  
**www.combipower.nl**

# KUBICA K6700

PATENTED


<p><b>MATERIAL</b></p> <p>Zamak</p>	<p><b>LOAD CAPACITY</b></p> <p>50 kg (n.2 hinges) 70 kg (n.3 hinges)</p> 	<p><b>APPLICATION</b></p> <p>Flush to the wall door</p> 	<p><b>K DISTANCE</b></p>  <p>K-max 5.5 mm</p>
<p><b>HINGE CENTERED ON THE DOOR LEAF</b></p>  <p>Max Thk 40 mm</p>	<p><b>OPENING ANGLE</b></p> <p>180°</p> 	<p><b>3D ADJUSTMENTS</b></p>  <p>Z +3 / -3 X +3 / -2 Y +1 / -1</p>	<p>Rif. report reference N° R27182-20130522</p> 
<p><b>FINISHING</b></p> <p>Full HD</p> 	<p><b>COVER MATERIAL</b></p> <p>Aluminum</p>  <p>Kit of cover with screws (optional)</p>	<p><b>NUMBER OF ROTATION AXES</b></p> <p>5</p> 	<p><b>MADE IN ITALY</b></p> 
<p>EN 1634-1</p>  <p><b>30 min.</b></p>	<p>EN 1670</p> <p>Spray salt tested</p> <p><b>240 hours</b></p>	<p><b>MADE IN ITALY</b></p> 	



Product details:



Classic Series

Finishing		
Colour		Item number.
	Polished chrome	<b>K 6700 CL HD</b>
	Satin chrome	<b>K 6700 CS HD</b>
	Satin nickel	<b>K 6700 NS HD</b>
	Polished gold	<b>K 6700 OL HD</b>
	Black	<b>K 6700 NO HD</b>

For other colours please ask Krona Koblenz for feasibility

Index

Vademecum

Legenda

Performance Series

Evolution Series

Classic Series

Finishes

Accessories

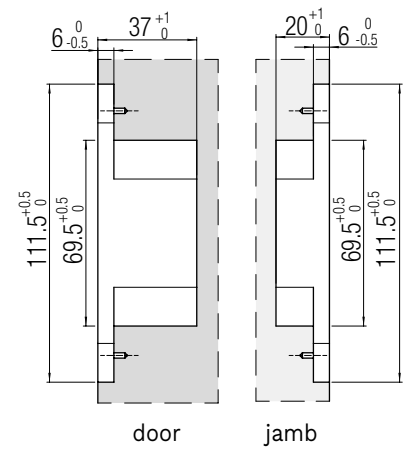
Warnings



Load capacity table (see the reading guide at page 12)

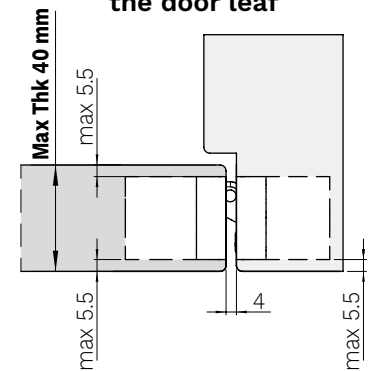
K6700 - 50 Kg - N.2 hinges												
Hinge spacing (mm)**	2000	50	50	50	50	50	50	50	50	50	48	46
	1950	50	50	50	50	50	50	50	50	50	49	47
	1900	50	50	50	50	50	50	50	50	50	48	46
	1850	50	50	50	50	50	50	50	50	50	48	46
	1800	50	50	50	50	50	50	49	47	45	43	42
	1750	50	50	50	50	50	50	48	46	44	42	40
	1700	50	50	50	50	50	49	46	44	43	41	39
	1650	50	50	50	50	50	47	45	43	41	40	38
	1600	50	50	50	50	48	46	44	42	40	38	37
	1550	50	50	50	49	47	44	42	41	39	37	36
	1500	50	50	50	47	45	43	41	39	38	36	35
	1450	50	50	48	46	44	42	40	38	36	35	34
1540	50											
	926	700	800	900	950	1000	1050	1100	1150	1200	1250	1300
Door leaf width (mm)**												

Milling door/jamb

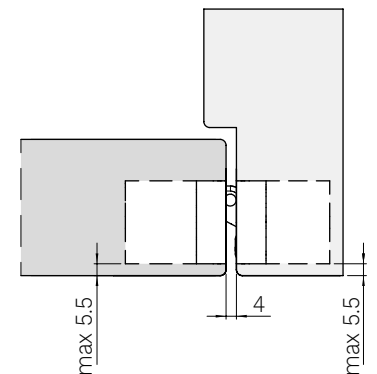


K6700 - 70 Kg - N.3 hinges												
Hinge spacing (mm)**	2000	70	70	70	70	70	69	66	63	61	58	56
	1950	70	70	70	70	70	68	65	62	59	57	55
	1900	70	70	70	70	69	66	63	60	58	55	53
	1850	70	70	70	70	67	64	61	59	56	54	52
	1800	70	70	70	69	66	62	60	57	55	52	50
	1750	70	70	70	67	64	61	58	55	53	51	49
	1700	70	70	69	65	62	59	56	54	52	50	48
	1650	70	70	67	63	60	57	55	52	50	48	46
	1600	70	70	65	61	58	55	53	51	49	47	45
	1550	70	70	63	59	56	54	51	49	47	45	43
	1500	70	68	61	57	55	52	50	47	46	44	42
	1450	70	66	59	56	53	50	48	46	44	42	41
1730	70											
	900	700	800	900	950	1000	1050	1100	1150	1200	1250	1300
Door leaf width (mm)**												

Installation of Hinge centered on the door leaf



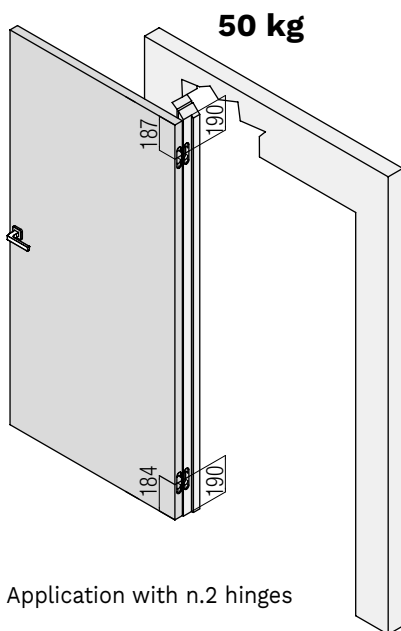
Installation of Hinge NOT centered on the door leaf



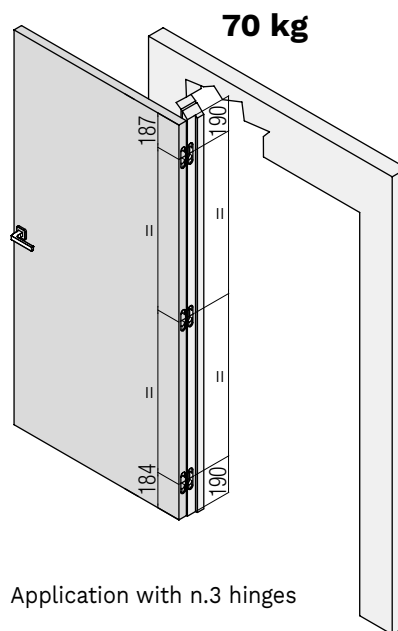
- Tested on doors: height 2100 mm - width 900 mm - opening angle 0°-90°.

\*\*With door dimensions and max opening angle different from the tested configuration and/or with the application of other devices such as, for example, door closers/bumpers/emergency handle/dropdown seal/etc. refer to the "Installation Examples". Please note that testing for these configurations is under customer's responsibility. We specify that the combinations are the result of interpolation and not of real tests, which remain under the customer's responsibility.

Standard application



Application with n.2 hinges



Application with n.3 hinges

The hinge fixing is ensured by using the fixing screws indicated in our hinge assembly instructions.