

**COMBIPOWER.NL**

**Combi Power BV**  
**Retselseweg 6 | 5473 HC Heeswijk-Dinther**  
**sales@combipower.nl**  
**www.combipower.nl**

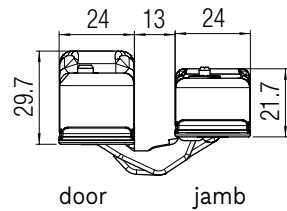
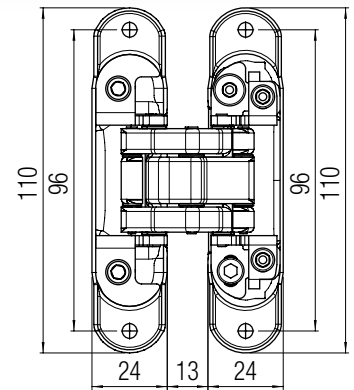
# Atomika SLIM K8060

PATENTED

<b>MATERIAL</b>  Steel	<b>LOAD CAPACITY</b> 60 kg (n.2 hinges)  	<b>APPLICATION</b> Flush to the wall door  	<b>K DISTANCE</b>   K-max 4 mm
<b>HINGE CENTERED ON THE DOOR LEAF</b>   Max Thk 32 mm	<b>OPENING ANGLE</b> 180°  	<b>3D ADJUSTMENTS</b>   Z +2.5 / -2.5 X +1.5 / -1.5 Y x1 / -1	<b>NUMBER OF ROTATION AXES</b> 7  
 Tested with door closer*	<b>FINISHING</b> Full HD  	<b>COVER MATERIAL</b> Steel  	<b>EN 1634-1</b>   <b>30 min.</b>
 Test report N° 18-000602-PR02 - 20/11/2018 UNI EN1191:2012 Windows and doors Resistance to opening and closing  Internal door with hinges mod. ATOMIKA K8060 Slim Total door weight: 60kg	<b>EN 1670</b>  Spray salt tested  <b>240 hours</b>	<b>MADE IN ITALY</b>  	
<b>EN 1634-1</b>   <b>45 min.</b>			

\*Tested with door closer models most frequently used on the market.

## Performance Series



### Finishing

Colour	Item number.
	Polished chrome <b>K 8060 CL HD</b>
	Satin chrome <b>K 8060 CS HD</b>
	Satin nickel <b>K 8060 NS HD</b>
	Polished gold <b>K 8060 OL HD</b>
	Bronze <b>K 8060 BR HD</b>
	Brushed bronze <b>K 8060 BS HD</b>
	Polished brass <b>K 8060 OTL HD</b>
	White <b>K 8060 BI HD</b>
	Black <b>K 8060 NO HD</b>

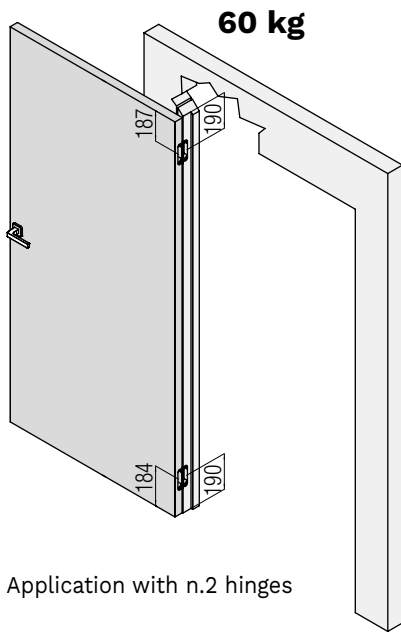
For other colours please ask Krona Koblenz for feasibility

**Load capacity table** (see the reading guide at page 12)

K8060 - 60 Kg - N.2 hinges												
Hinge spacing (mm)**	2000	60	60	60	60	60	60	60	60	60	58	56
	1950	60	60	60	60	60	60	60	60	60	59	56
	1900	60	60	60	60	60	60	60	60	60	57	55
	1850	60	60	60	60	60	60	60	60	60	58	56
	1800	60	60	60	60	60	60	59	56	54	52	50
	1750	60	60	60	60	60	60	57	55	53	51	49
	1700	60	60	60	60	60	58	56	53	51	49	47
	1650	60	60	60	60	60	57	54	52	50	48	46
	1600	60	60	60	60	59	55	52	50	48	46	44
	1550	60	60	60	59	56	53	51	49	47	45	43
	1500	60	60	60	57	54	52	49	47	45	43	42
1450	60	60	58	55	52	50	48	45	44	42	40	
1540	60											
	926	700	800	900	950	1000	1050	1100	1150	1200	1250	1300
	Door leaf width (mm)**											

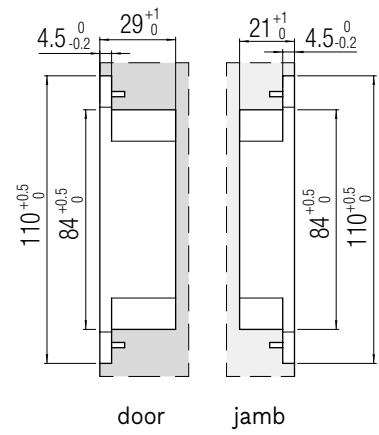
- Tested on doors: height 2100 mm - width 900 mm - opening angle 0°-90°.  
 \*\*With door dimensions and max opening angle different from the tested configuration and/or with the application of other devices such as, for example, door closers/bumpers/emergency handle/dropdown seal/etc. refer to the "Installation Examples". Please note that testing for these configurations is under customer's responsibility. We specify that the combinations are the result of interpolation and not of real tests, which remain under the customer's responsibility.

**Standard application**

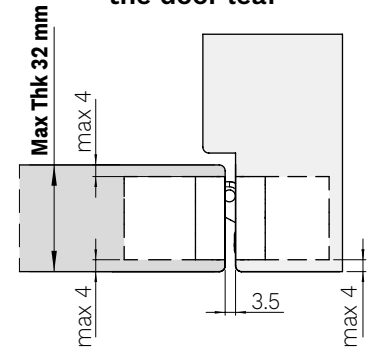


Application with n.2 hinges

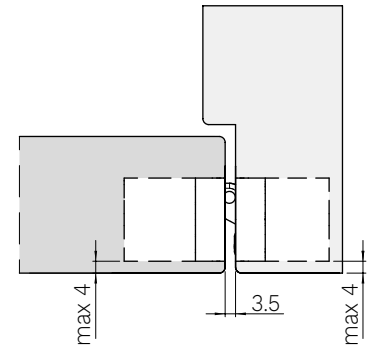
**Milling door/jamb**



**Installation of Hinge centered on the door leaf**



**Installation of Hinge NOT centered on the door leaf**



**Fixing screws included**  
 The hinge fixing is ensured by using the **fixing screws** indicated in the hinge assembly instructions.