

COMBIPOWER.NL

Combi Power BV
Retselseweg 6 | 5473 HC Heeswijk-Dinther
sales@combipower.nl
www.combipower.nl

Atomika KARAKTER K8080

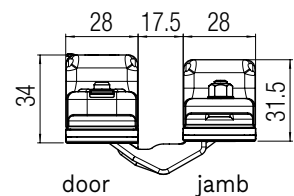
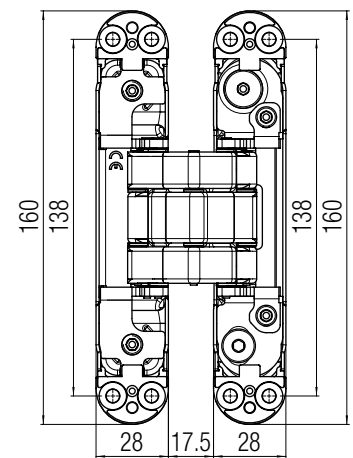
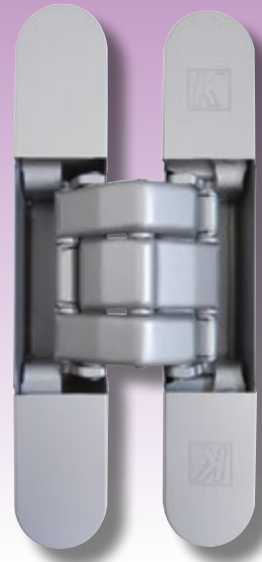
PATENTED

MATERIAL Steel	LOAD CAPACITY 80 kg (n.2 hinges) 100 kg (n.3 hinges) 	APPLICATION Flush to the wall door 	K DISTANCE K-max 4 mm												
HINGE CENTERED ON THE DOOR LEAF Max Thk 36 mm	OPENING ANGLE 180° 	3D ADJUSTMENTS Z +3 / -3 X +3 / -2 Y +1 / -1													
 Tested with door closer*	FINISHING Full HD 	INTERCHANGEABLE WITH: K8120 / K5080 	COVER MATERIAL Steel Kit of cover with screws (optional)												
NUMBER OF ROTATION AXES 7 	Suitable for high opening and closing environment	 Product Quality N° 19-000093-PR01 - 18/06/2019 Multi-axis, concealed hinges EAD 020001-01-0405 Reg.-N°: 9000283													
Rif. report reference N° R27182-20170327 	EN 1634-1 BS476-22 120 min.	<table border="1"> <tr> <td>CE</td> <td>Krona Koblenz SpA Via Romero, 1 47853 Coriano</td> <td colspan="2">21</td> </tr> <tr> <td>0757</td> <td>ETA-20/0491 DpPDoP-Nr. 008TA/CPR2021-04-13</td> <td>3</td> <td>7 4 1 1 4 0 11</td> </tr> <tr> <td colspan="2">0757-CPR-22EAD-9000283-3-1 <small>HINGES DO NOT CONTAIN HARMFUL SUBSTANCES</small></td> <td colspan="2">ATOMIKA K8080</td> </tr> </table>		CE	Krona Koblenz SpA Via Romero, 1 47853 Coriano	21		0757	ETA-20/0491 DpPDoP-Nr. 008TA/CPR2021-04-13	3	7 4 1 1 4 0 11	0757-CPR-22EAD-9000283-3-1 <small>HINGES DO NOT CONTAIN HARMFUL SUBSTANCES</small>		ATOMIKA K8080	
CE	Krona Koblenz SpA Via Romero, 1 47853 Coriano	21													
0757	ETA-20/0491 DpPDoP-Nr. 008TA/CPR2021-04-13	3	7 4 1 1 4 0 11												
0757-CPR-22EAD-9000283-3-1 <small>HINGES DO NOT CONTAIN HARMFUL SUBSTANCES</small>		ATOMIKA K8080													
EN 1634-1 60 min.	EN 1670 Spray salt tested 240 hours	MADE IN ITALY 													

*Tested with door closer models most frequently used on the market.



Performance Series



Finishing

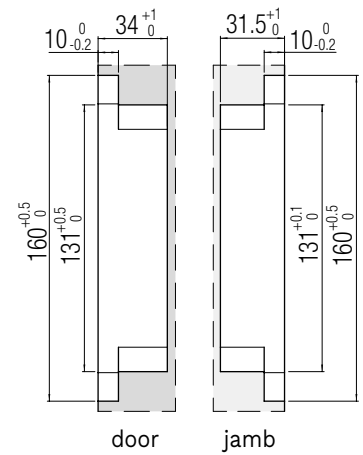
Colour	Item number.
	Polished chrome K 8080 CL
	Satin chrome K 8080 CS
	Satin nickel K 8080 NS
	Polished gold K 8080 OL
	Bronze K 8080 BR
	Brushed bronze K 8080 BS
	Polished brass K 8080 OTL
	White K 8080 BI
	Black K 8080 NO

For other colours please ask Krona Koblenz for feasibility

Load capacity table (see the reading guide at page 12)

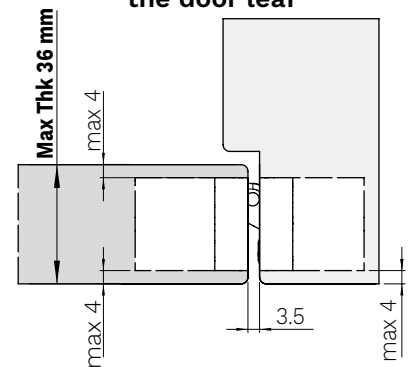
K8080 - 80 Kg - N.2 hinges												
2000	80	80	80	80	80	80	80	80	80	77	74	
1950	80	80	80	80	80	80	80	80	80	78	75	
1900	80	80	80	80	80	80	80	80	79	76	73	
1850	80	80	80	80	80	80	80	80	77	74	71	
1800	80	80	80	80	80	80	80	79	75	72	69	
1750	80	80	80	80	80	80	77	73	70	67	65	
1700	80	80	80	80	80	78	74	71	68	65	63	
1650	80	80	80	80	79	76	72	69	66	63	61	
1600	80	80	80	80	77	73	70	67	64	62	59	
1550	80	80	80	78	75	71	68	65	62	60	57	
1500	80	80	80	76	72	69	66	63	60	58	56	
1450	80	80	78	73	70	66	63	61	58	56	54	
1540	80											
	926	700	800	900	950	1000	1050	1100	1150	1200	1250	1300
		Door leaf width (mm)**										

Milling door/jamb

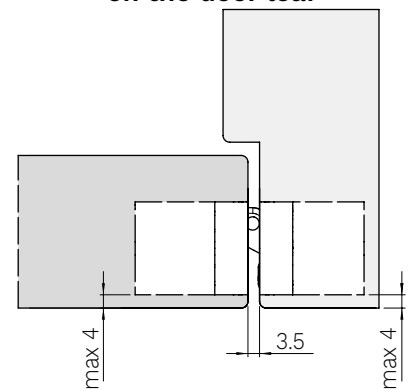


K8080 - 100 Kg - N.3 hinges												
2000	100	100	100	100	100	99	95	90	87	83	80	
1950	100	100	100	100	100	97	92	88	85	81	78	
1900	100	100	100	100	99	94	90	86	82	79	76	
1850	100	100	100	100	96	92	87	84	80	77	74	
1800	100	100	100	99	94	89	85	81	78	75	72	
1750	100	100	100	96	91	87	83	79	76	73	70	
1700	100	100	98	93	88	84	80	77	74	71	68	
1650	100	100	95	90	86	82	78	75	72	69	66	
1600	100	100	92	88	83	79	76	72	69	67	64	
1550	100	100	90	85	81	77	73	70	67	65	62	
1500	100	98	87	82	78	74	71	68	65	62	60	
1450	100	94	84	79	75	72	69	66	63	60	58	
1730	100											
	900	700	800	900	950	1000	1050	1100	1150	1200	1250	1300
		Door leaf width (mm)**										

Installation of Hinge centered on the door leaf



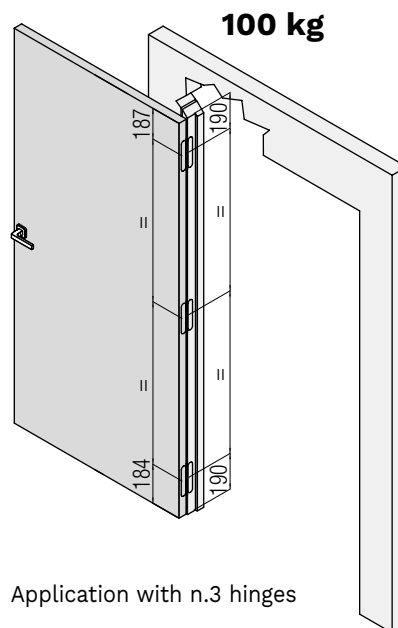
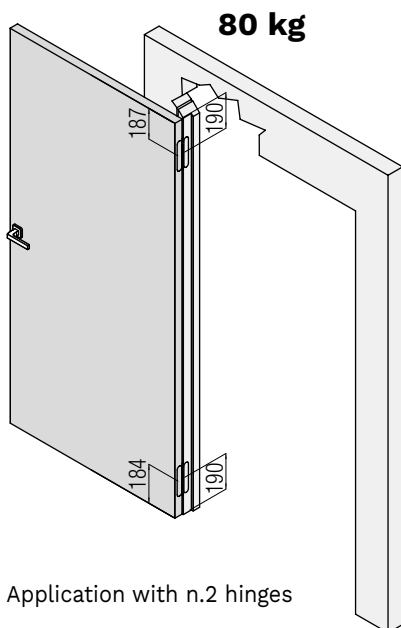
Installation of Hinge NOT centered on the door leaf



- Tested on doors: height 2100 mm - width 900 mm - opening angle 0°-90°.

**With door dimensions and max opening angle different from the tested configuration and/or with the application of other devices such as, for example, door closers/bumpers/emergency handle/dropdown seal/etc. refer to the "Installation Examples". Please note that testing for these configurations is under customer's responsibility. We specify that the combinations are the result of interpolation and not of real tests, which remain under the customer's responsibility.

Standard application



Fixing screws included
The hinge fixing is ensured by using the **fixing screws and adapters** indicated in the hinge assembly instructions.