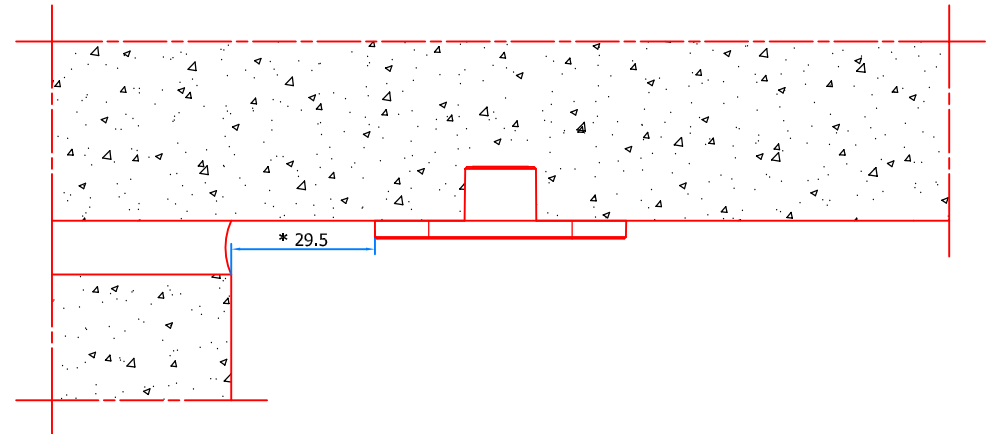
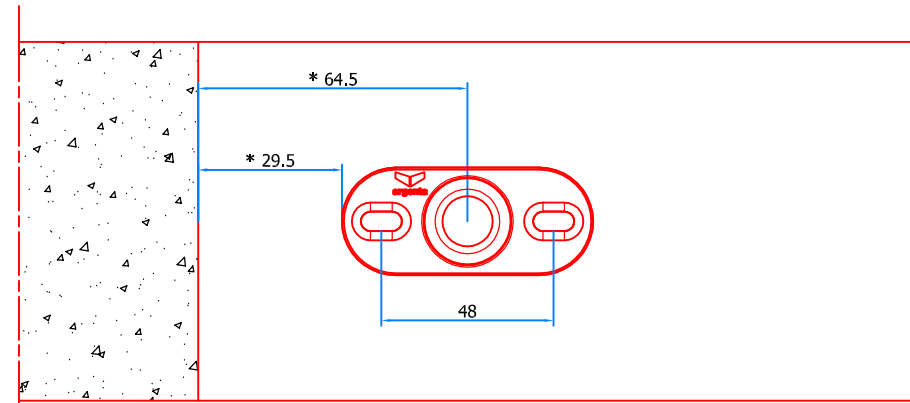
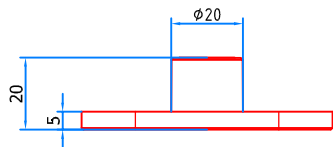
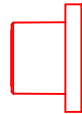
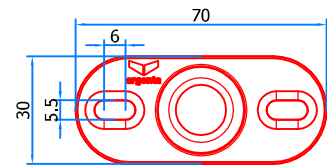
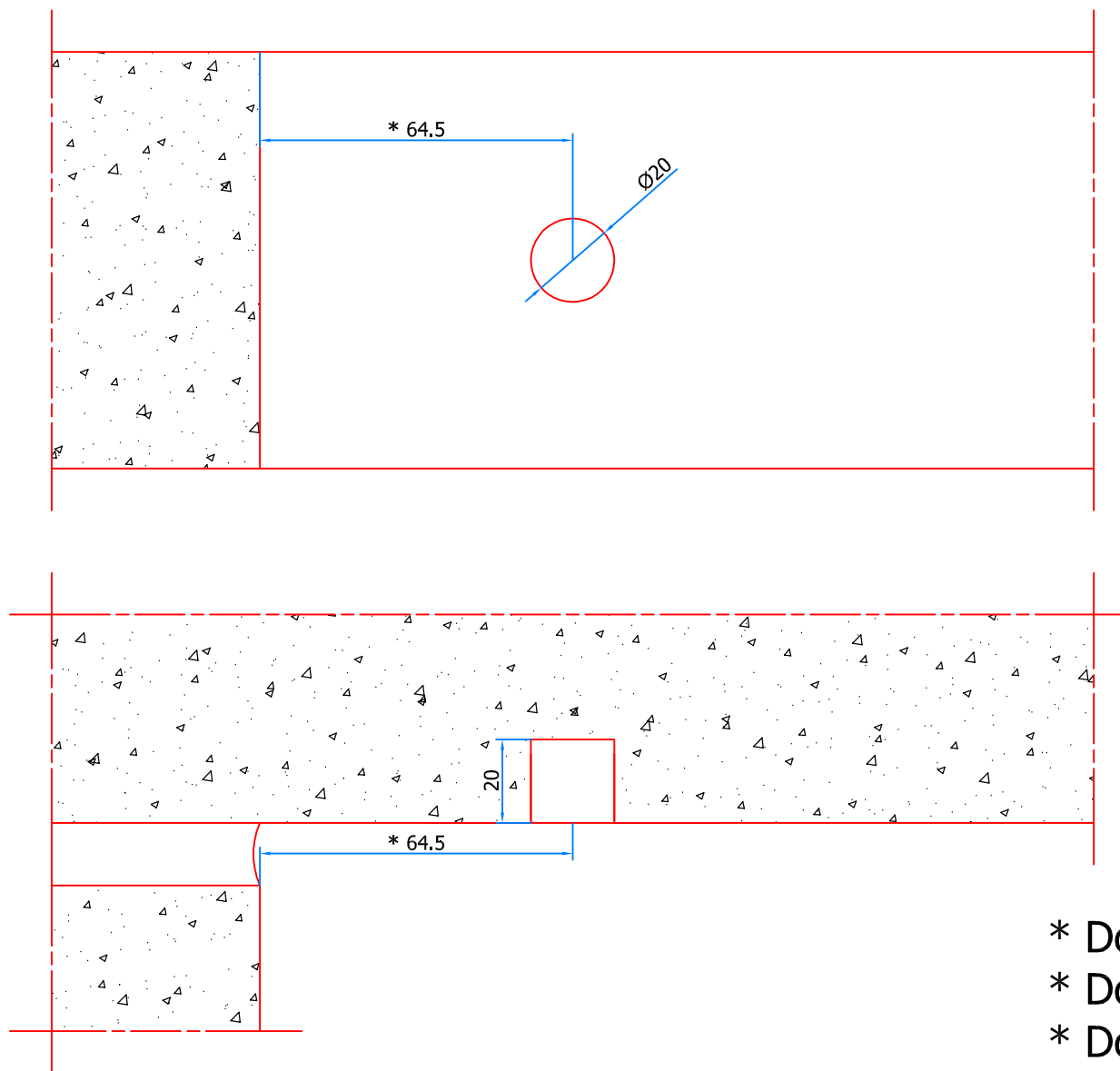


## Top part wall/frame



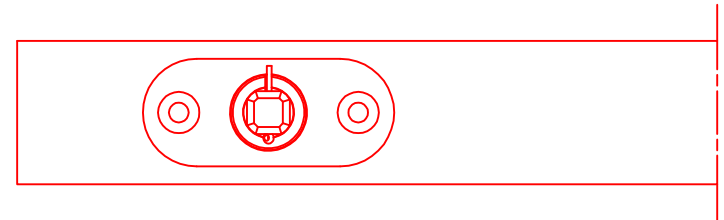
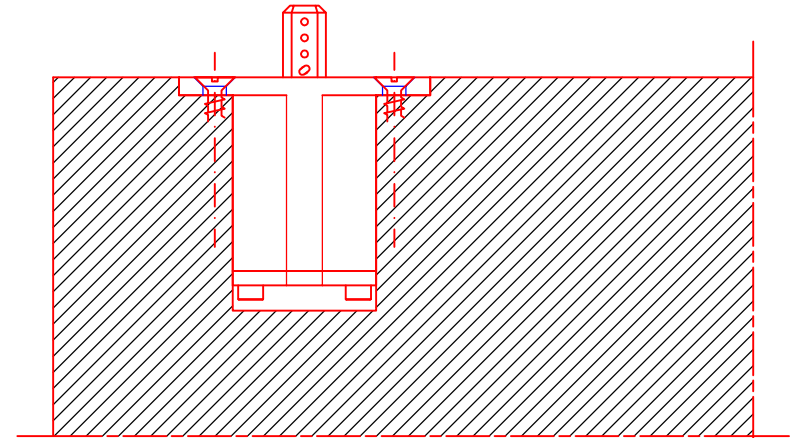
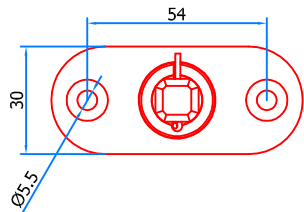
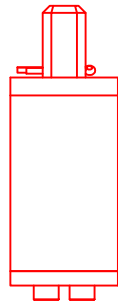
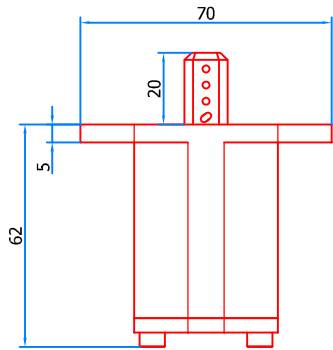
- \* Door 40mm: =
- \* Door 45mm: =
- \* Door 50mm: +1mm
- \* Door 54mm: +2mm

# Wall/Frame

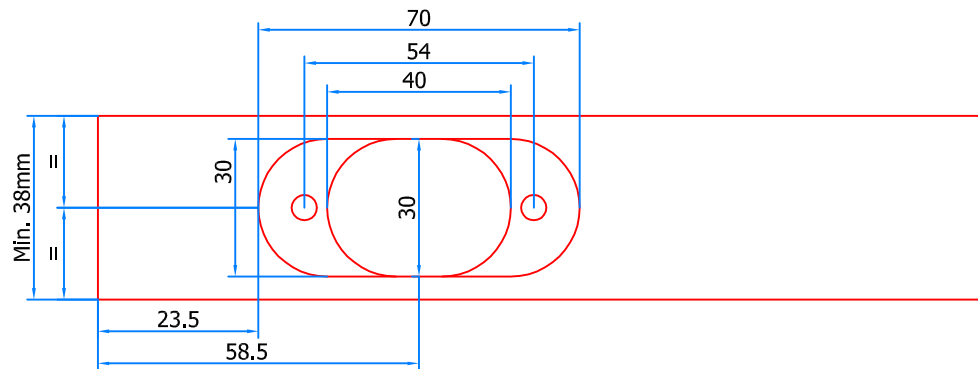
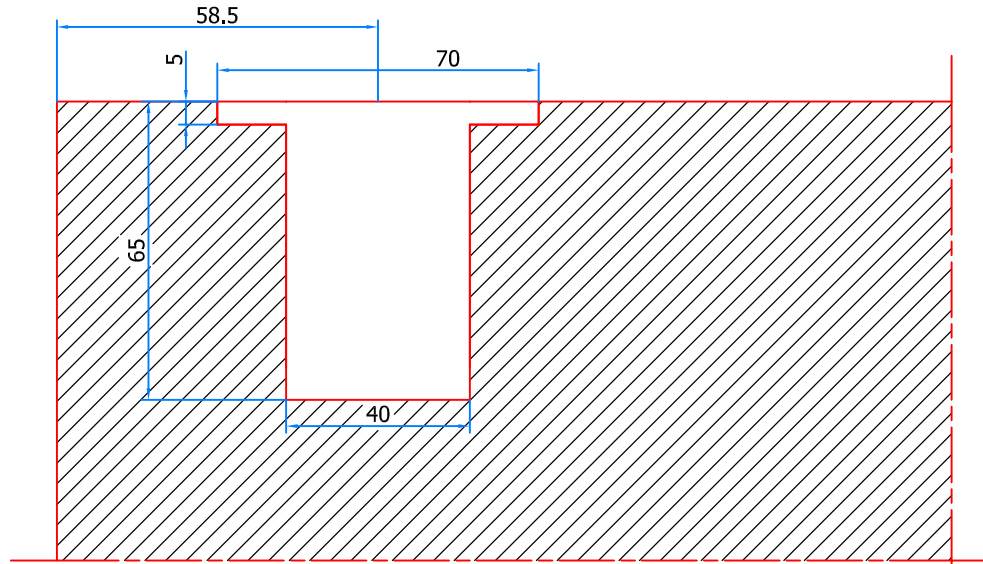


- \* Door 40mm: =
- \* Door 45mm: =
- \* Door 50mm: **+1mm**
- \* Door 54mm: **+2mm**

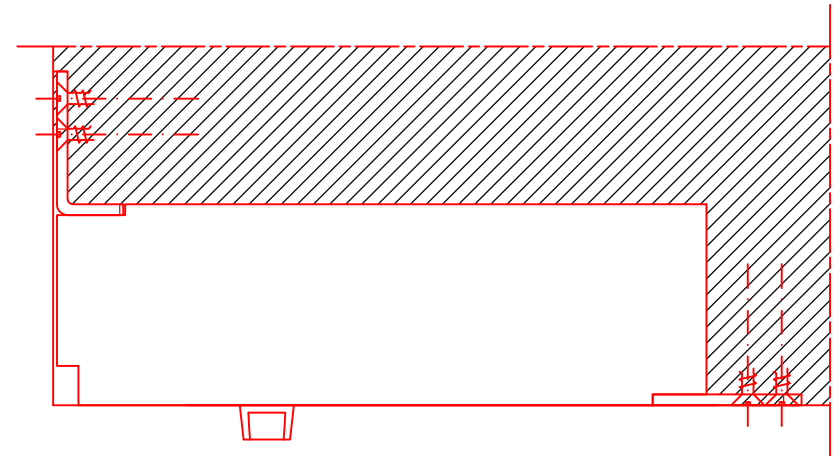
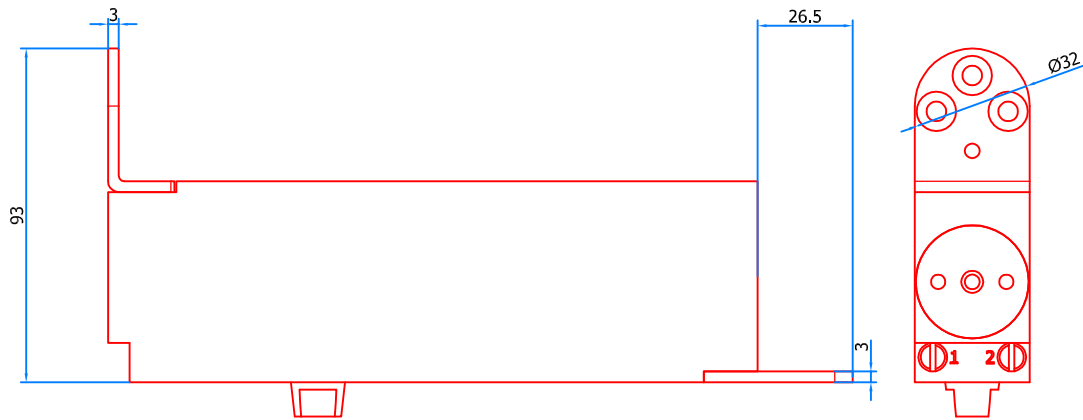
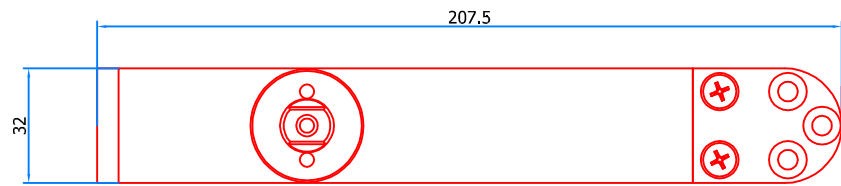
# Top part door



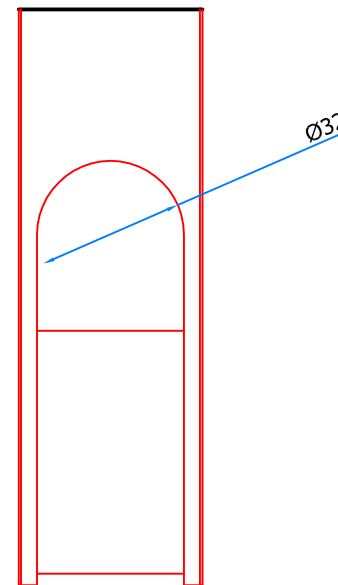
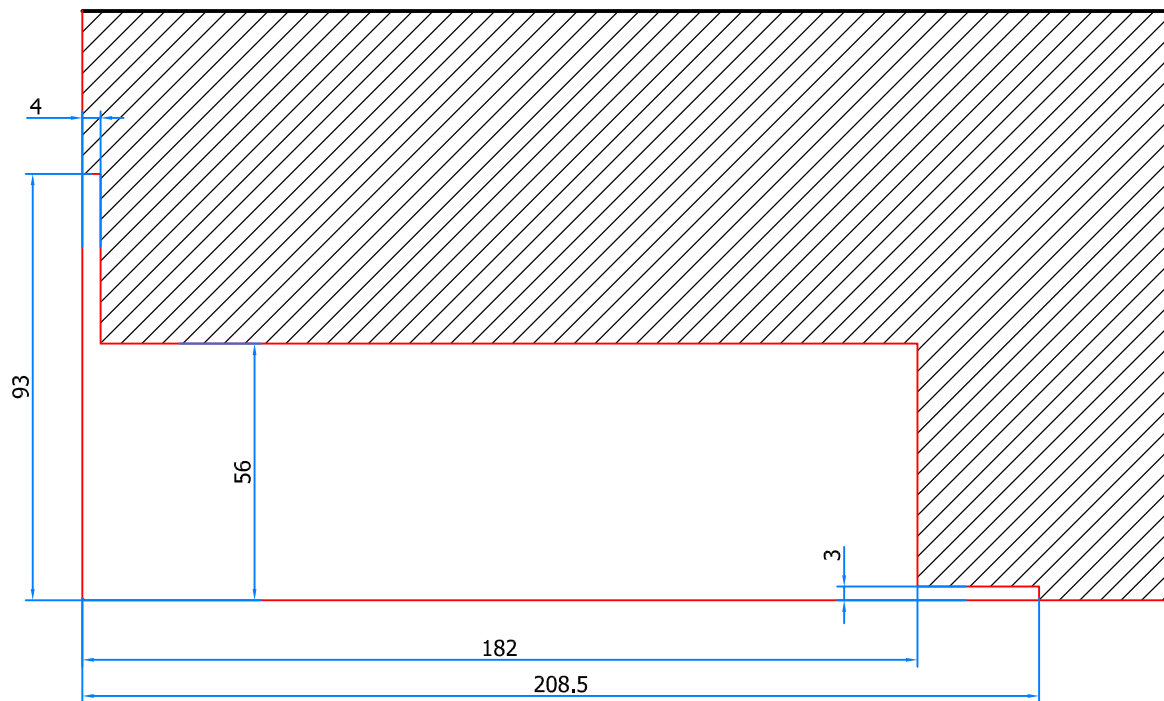
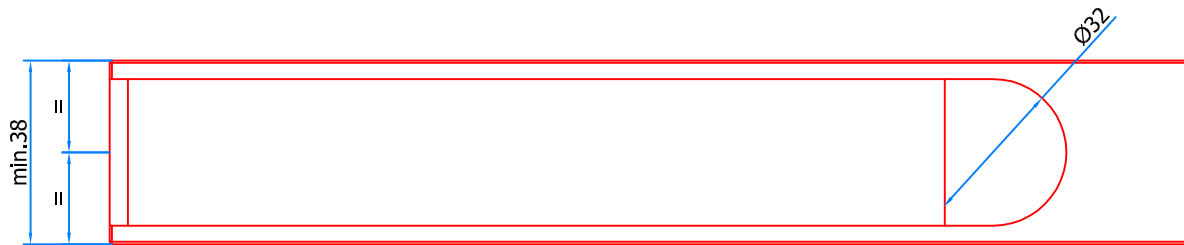
# Top side Door



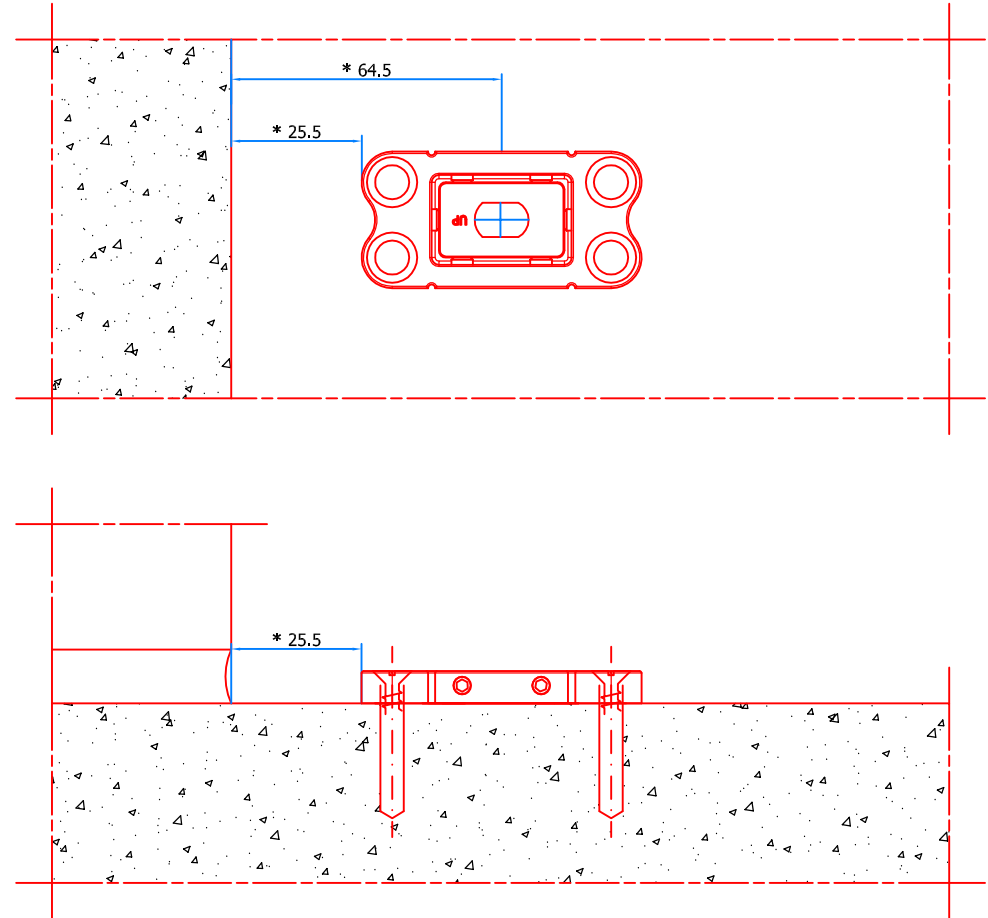
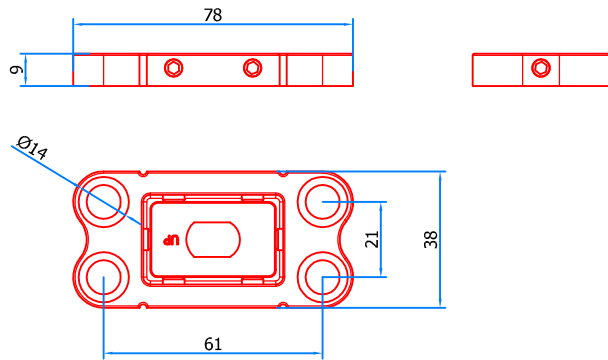
# Bottom part door



# Bottom side Door

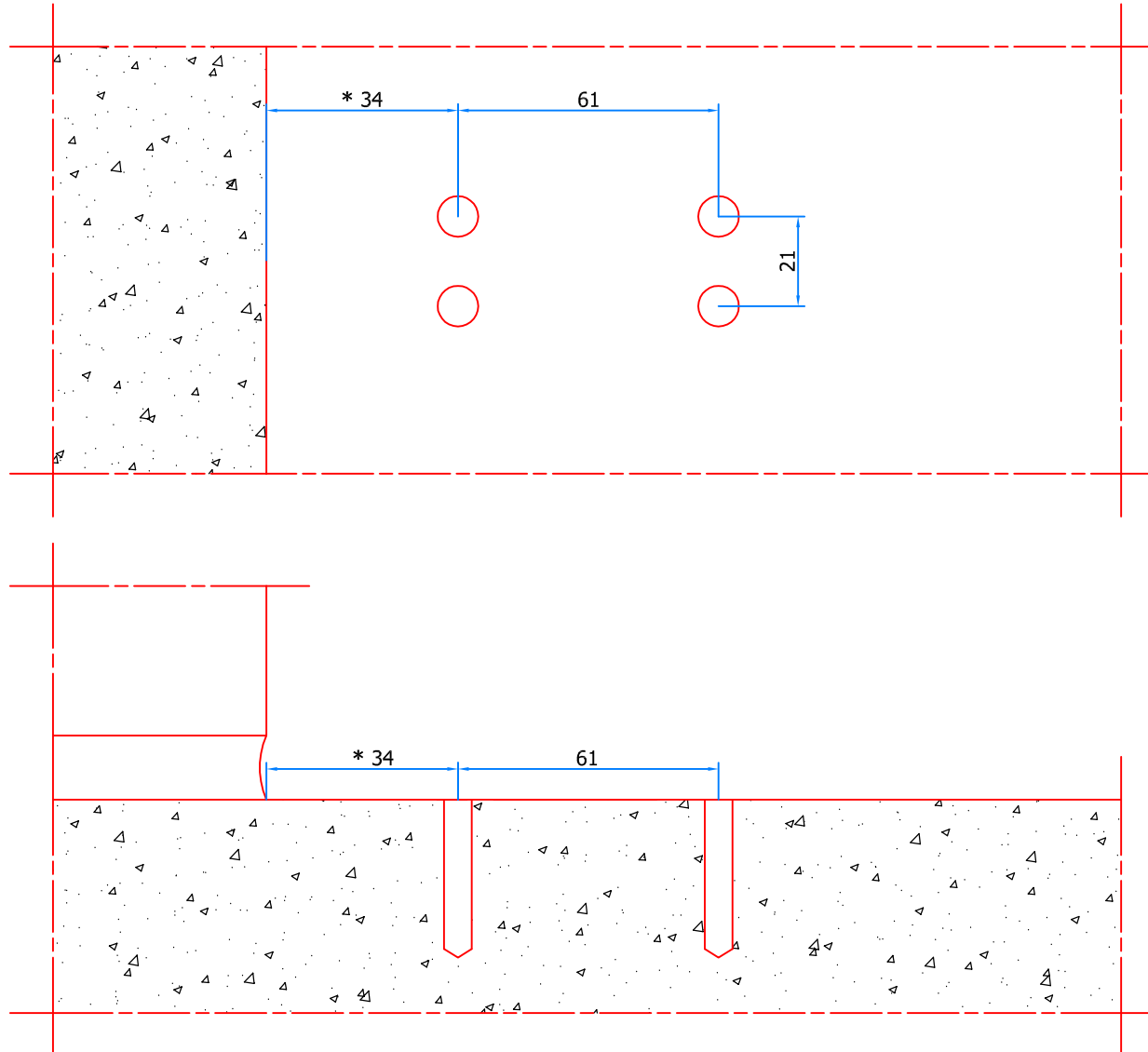


## Bottom part floor



- \* Door 40mm: =
- \* Door 45mm: =
- \* Door 50mm: +1mm
- \* Door 54mm: +2mm

# Floor

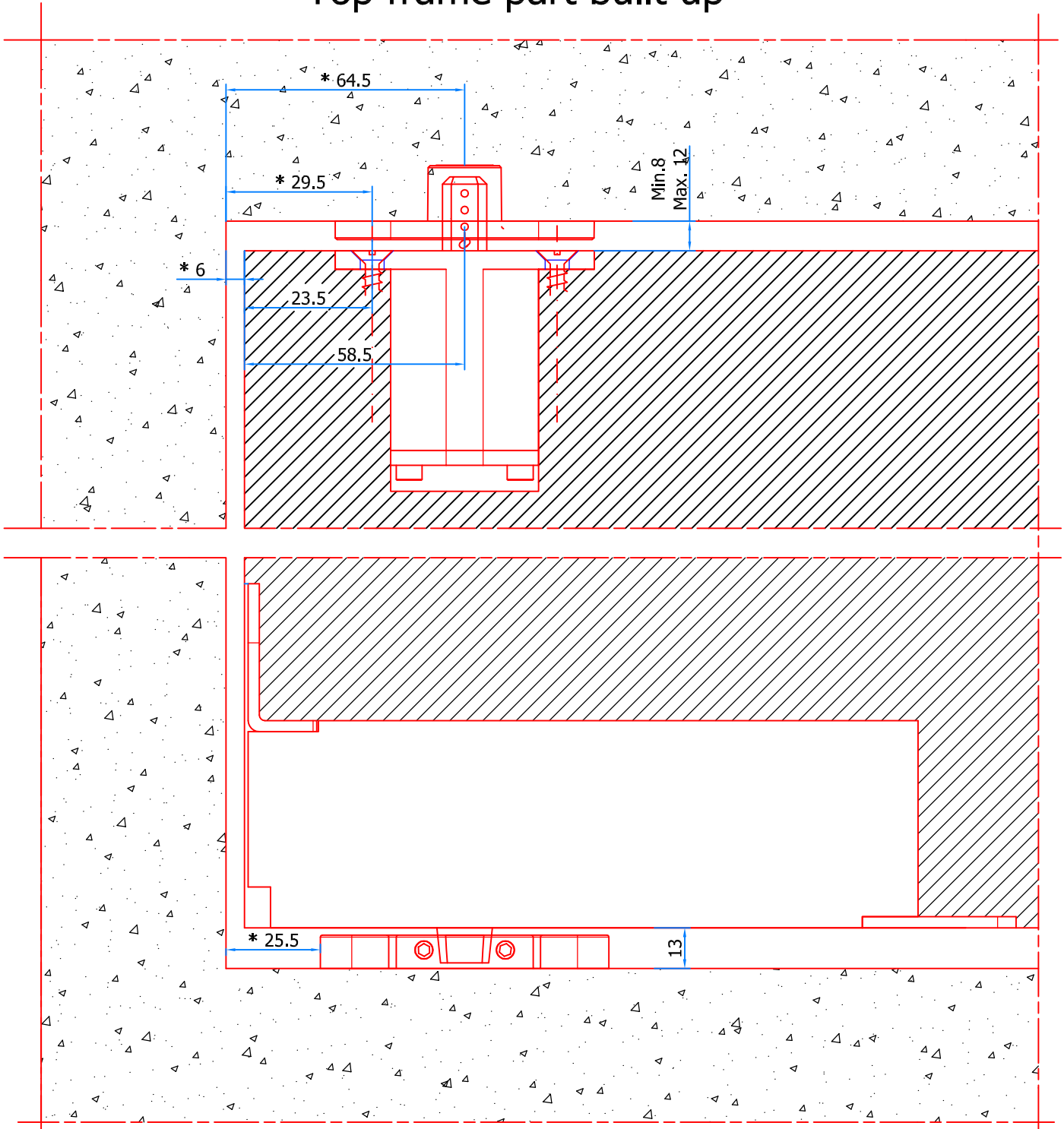


- \* Door 40mm: =
- \* Door 45mm: =
- \* Door 50mm: **+1mm**
- \* Door 54mm: **+2mm**



# Assembly Pivotica PRO

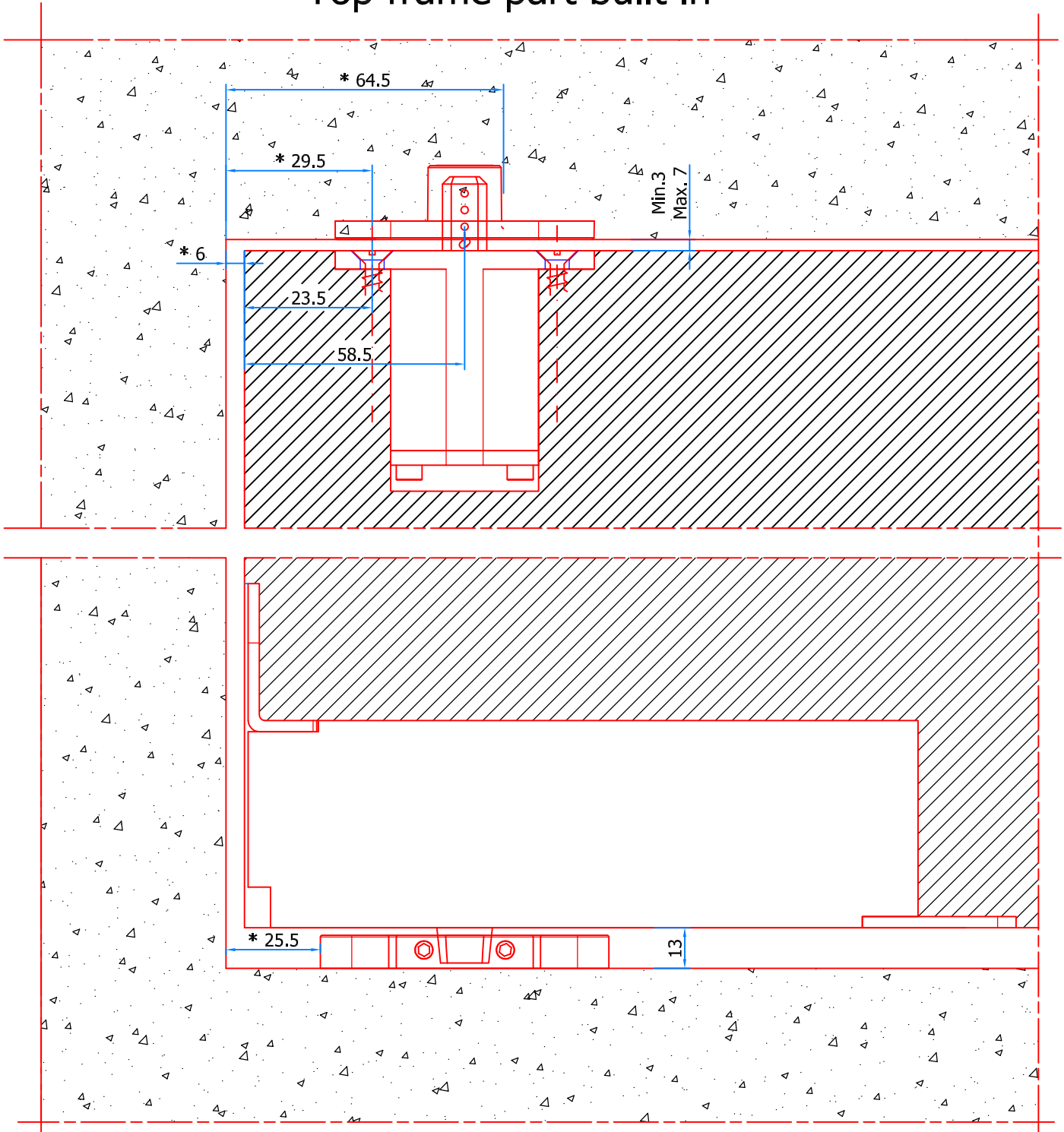
## Top frame part built up



- \* Door 40mm: =
- \* Door 45mm: =
- \* Door 50mm: **+1mm**
- \* Door 54mm: **+2mm**

# Assembly Pivotica PRO

## Top frame part built in



- \* Door 40mm: =
- \* Door 45mm: =
- \* Door 50mm: **+1mm**
- \* Door 54mm: **+2mm**