

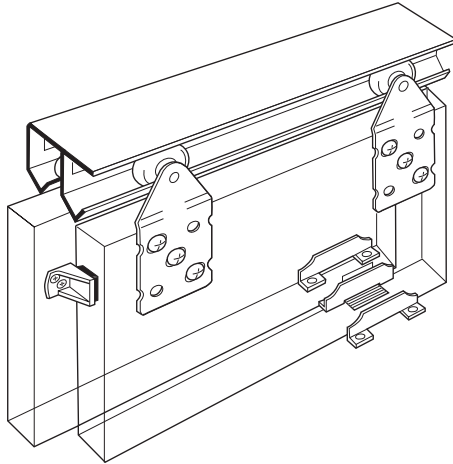
FITTING INSTRUCTIONS - NOTICE DE POSE - MONTAGE HANDLEIDING - MONTAGEANLEITUNG
ISTRUZIONI DI MONTAGGIO - INSTUCCIONES DE MONTAJE

Warranty. This product is covered by a 10 year manufacturer's warranty. Please see the P C Henderson website for terms and conditions.

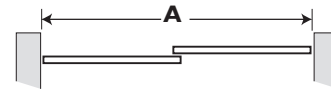
WATCH THE INSTALLATION VIDEO

Visit: www.pchenderson.com/double-top-installation

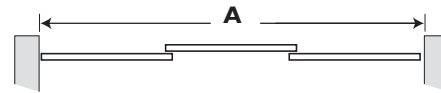
Or scan the QR code using your phone



12W **A** - 1200mm 45kg
15W **A** - 1500mm 45kg
18W **A** - 1800mm 45kg



24W **A** - 2400mm 45kg



B	16	19	22	25	29	32	35	38	40
C	-	1	2	15	19	22	25	28	30

