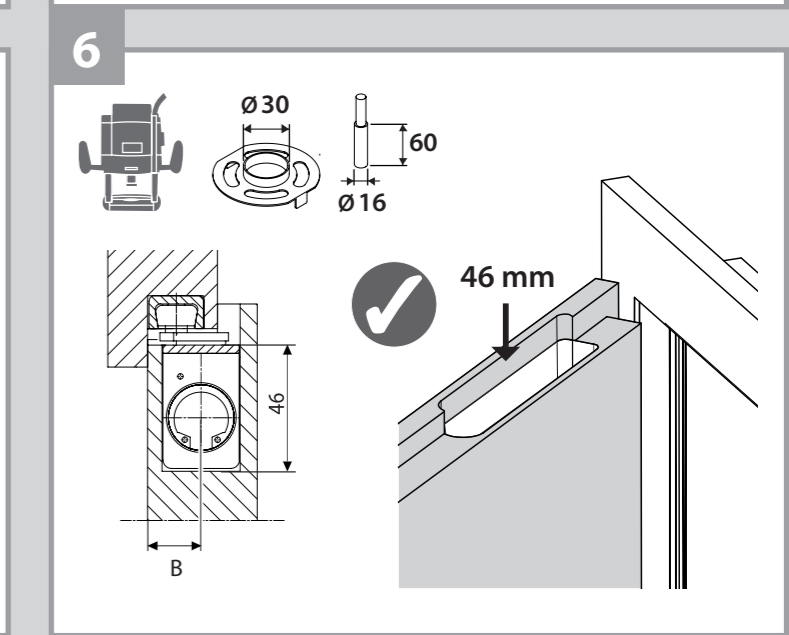
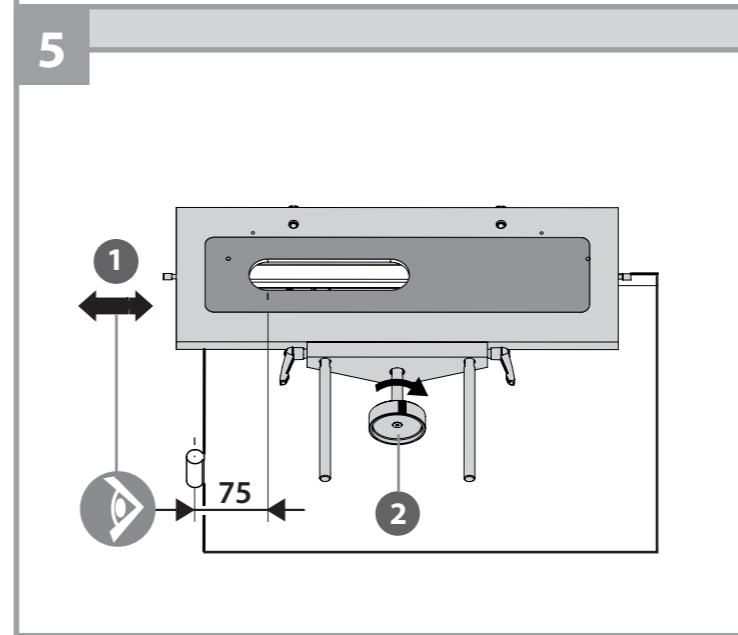
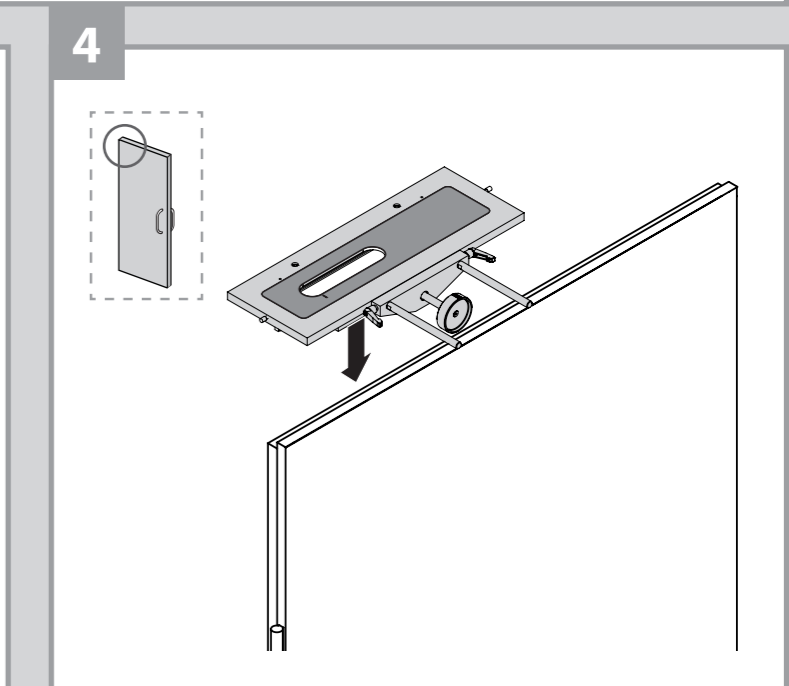
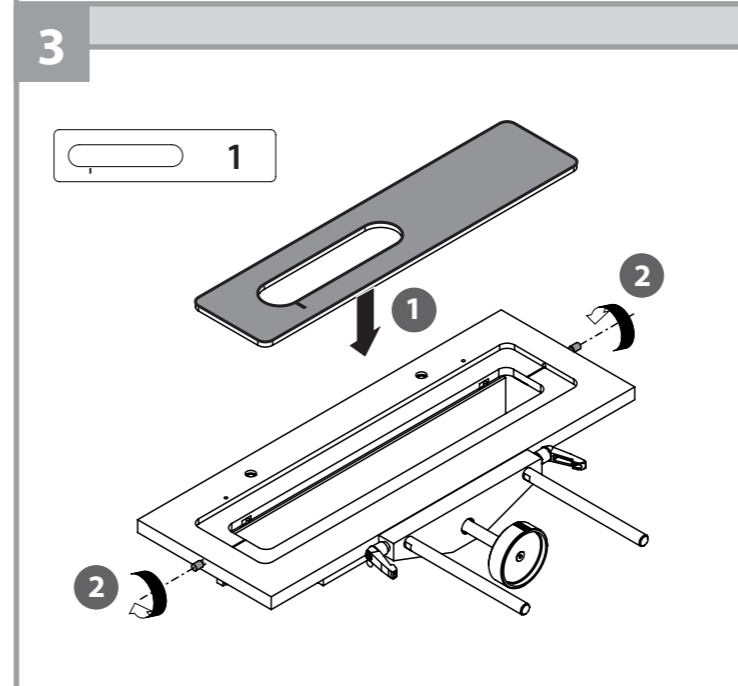
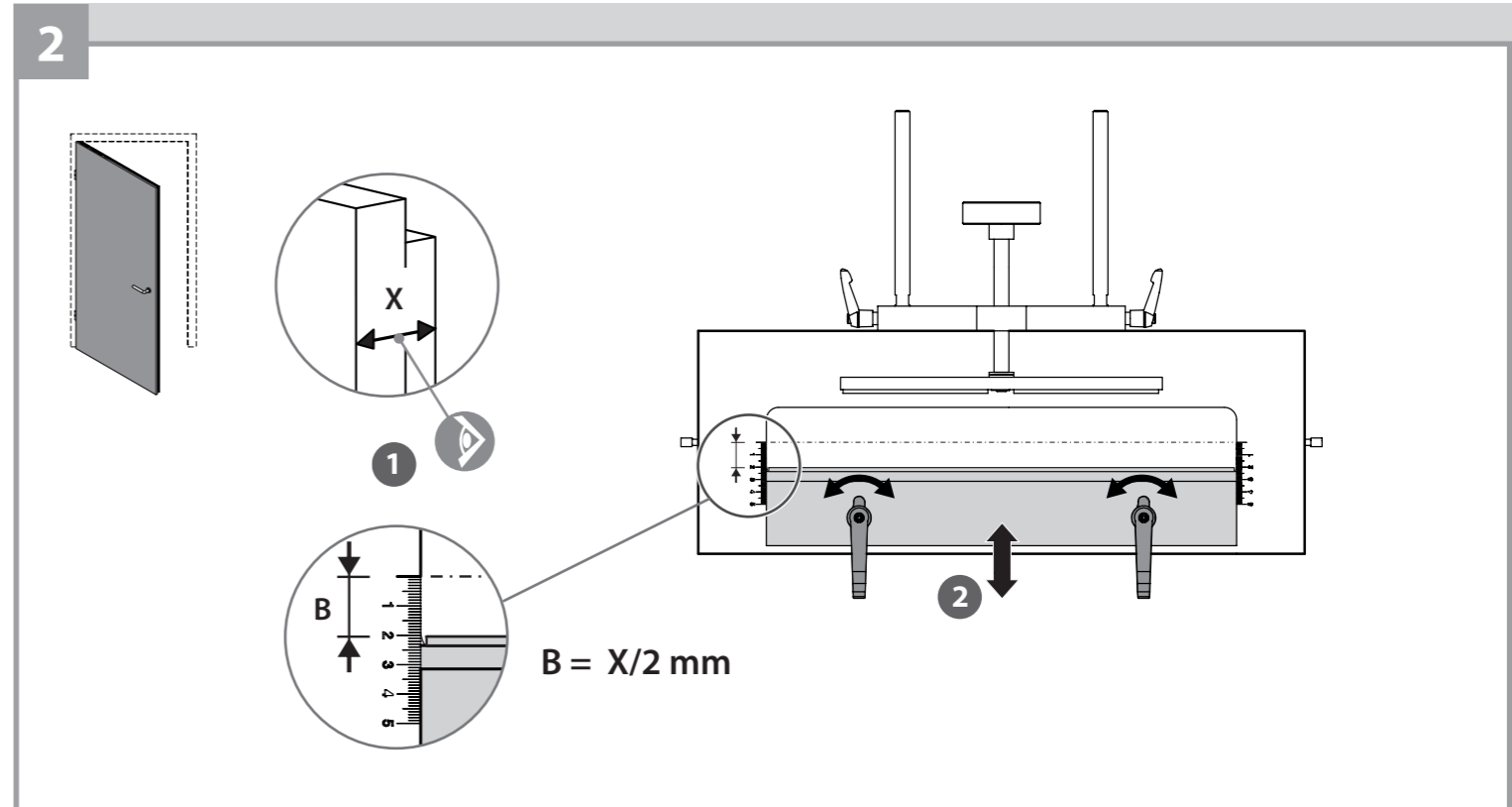
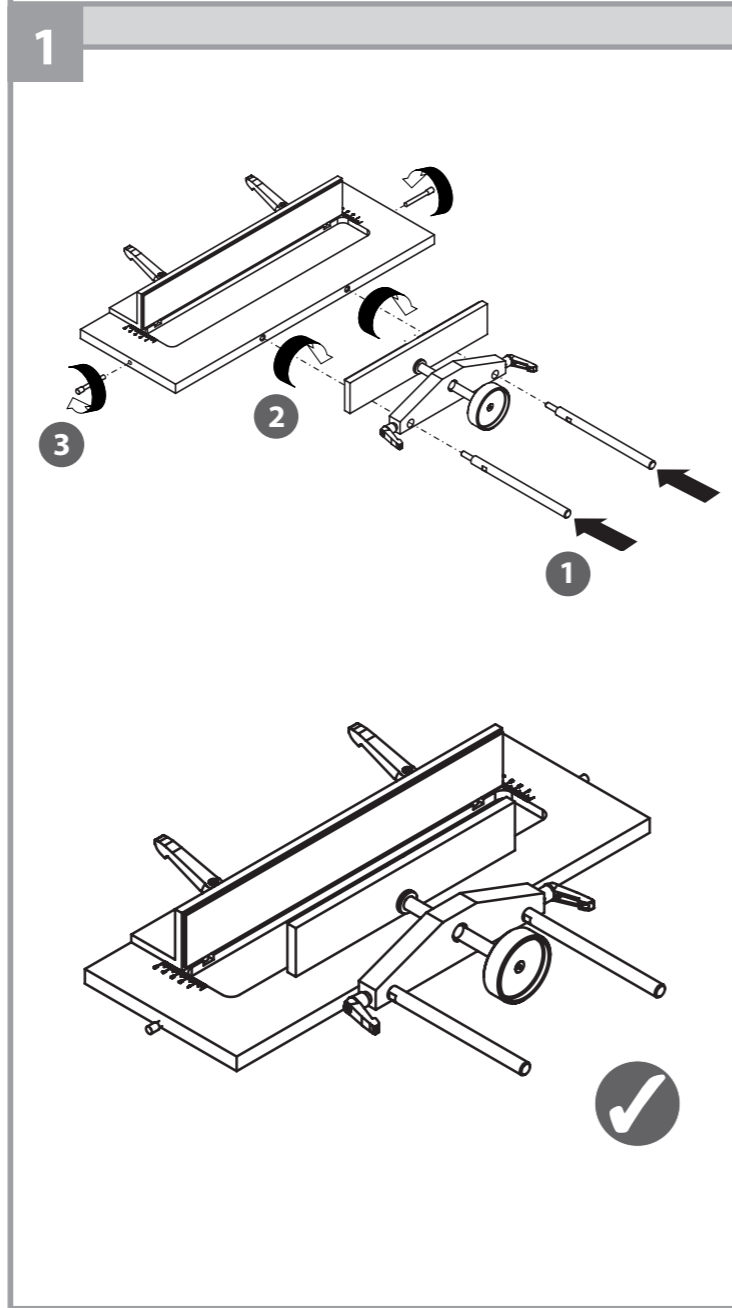
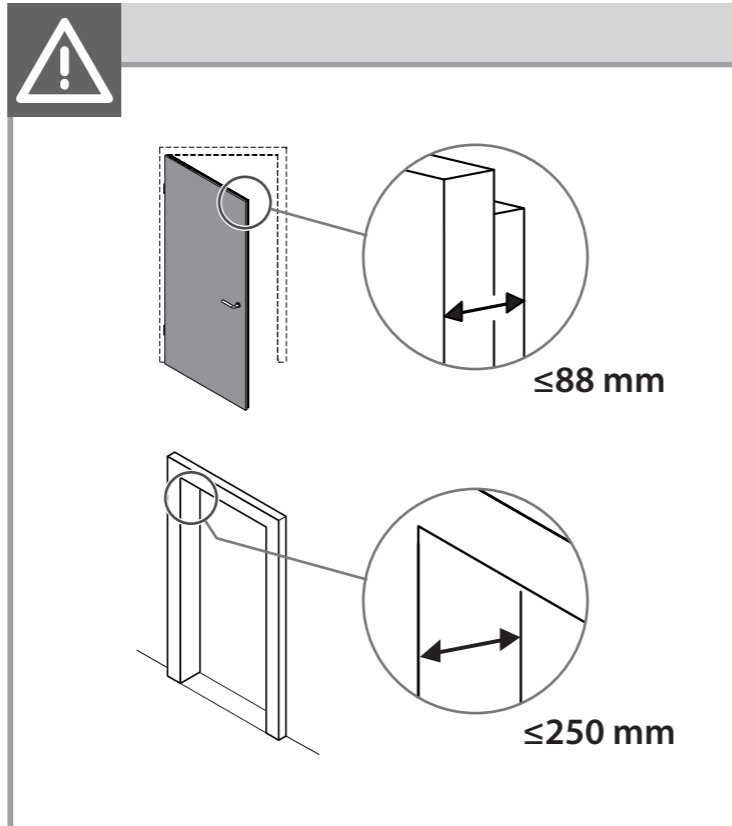
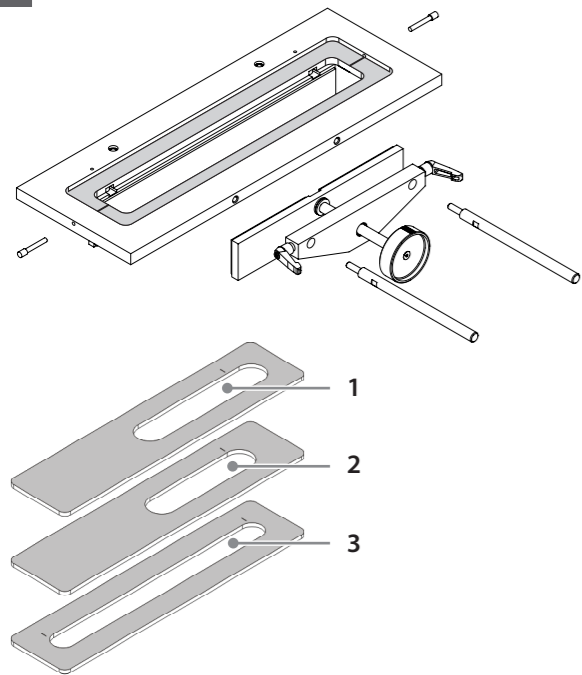


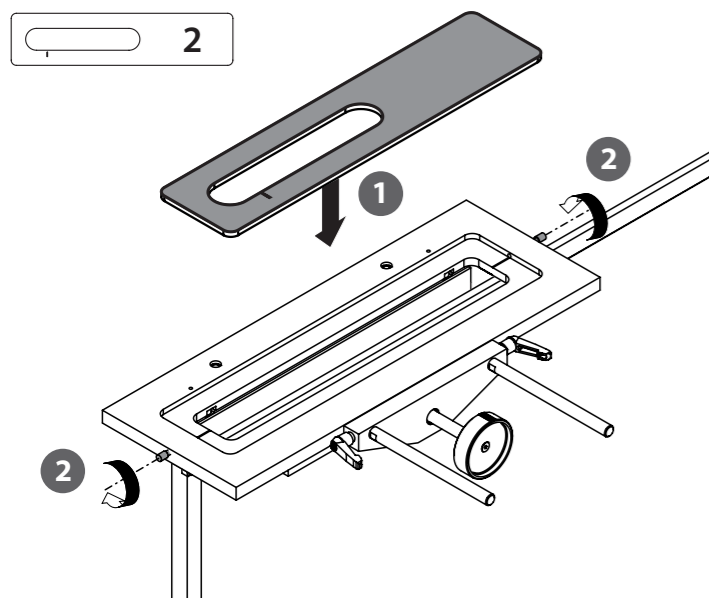
Fräsvorrichtung
ActiveStop
Milling attachment
ActiveStop



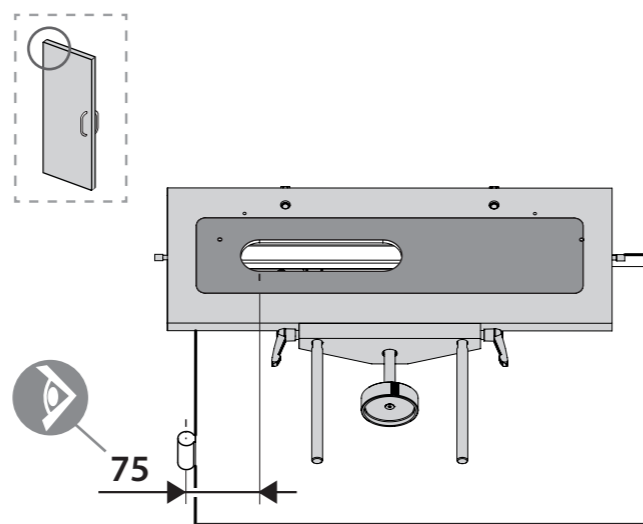
166874-01



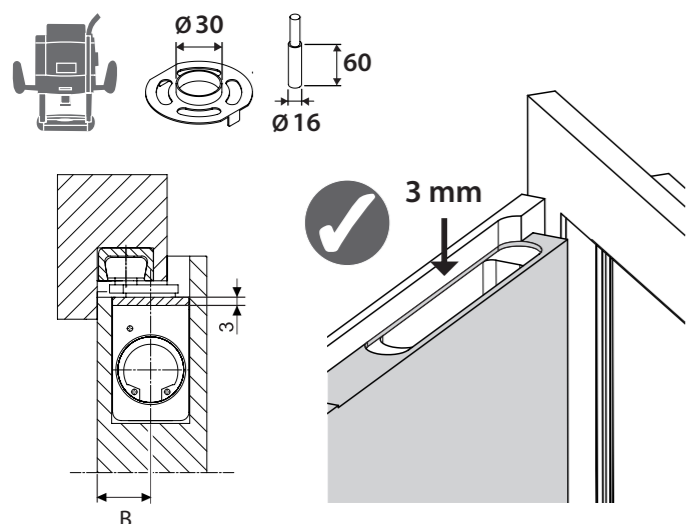
7



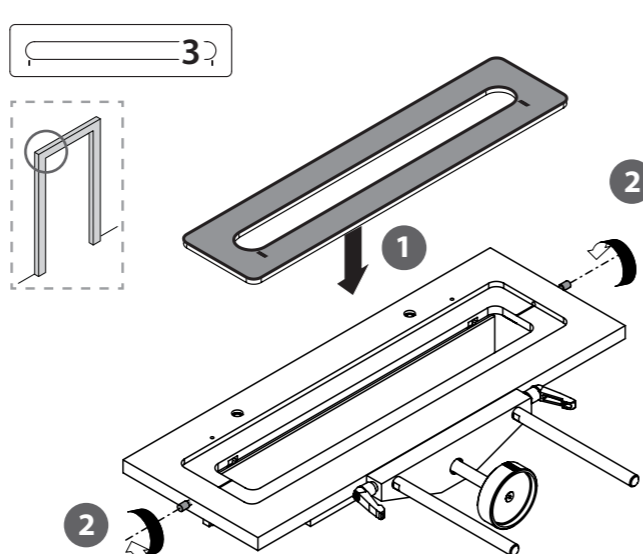
8



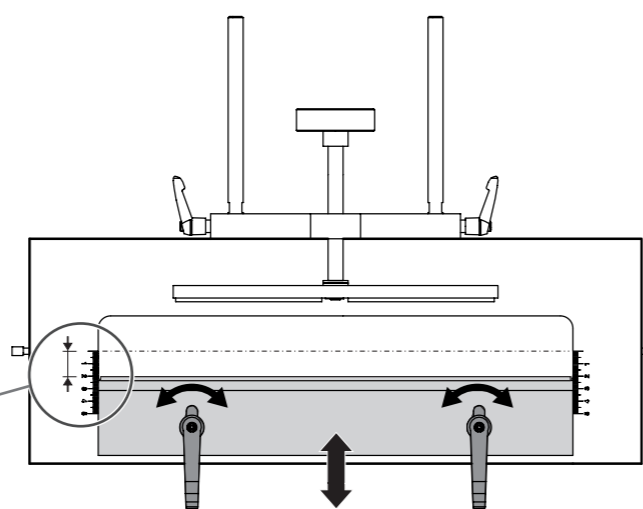
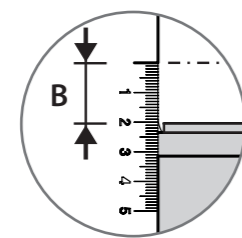
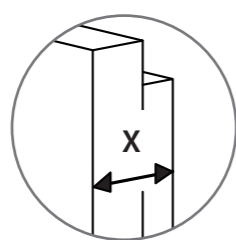
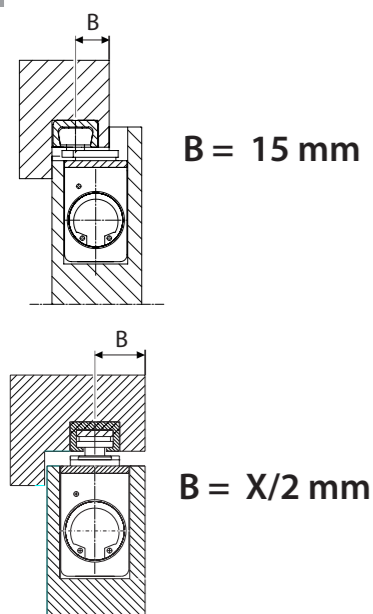
9



10



11



12

